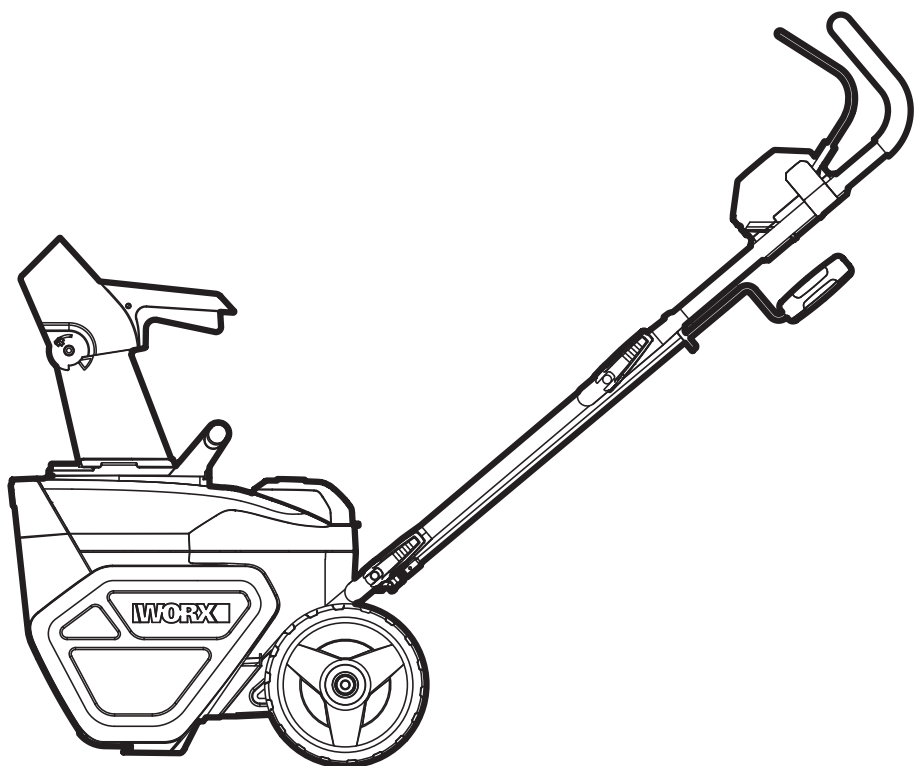


WORX®



2x20V Snow Thrower

EN

P07

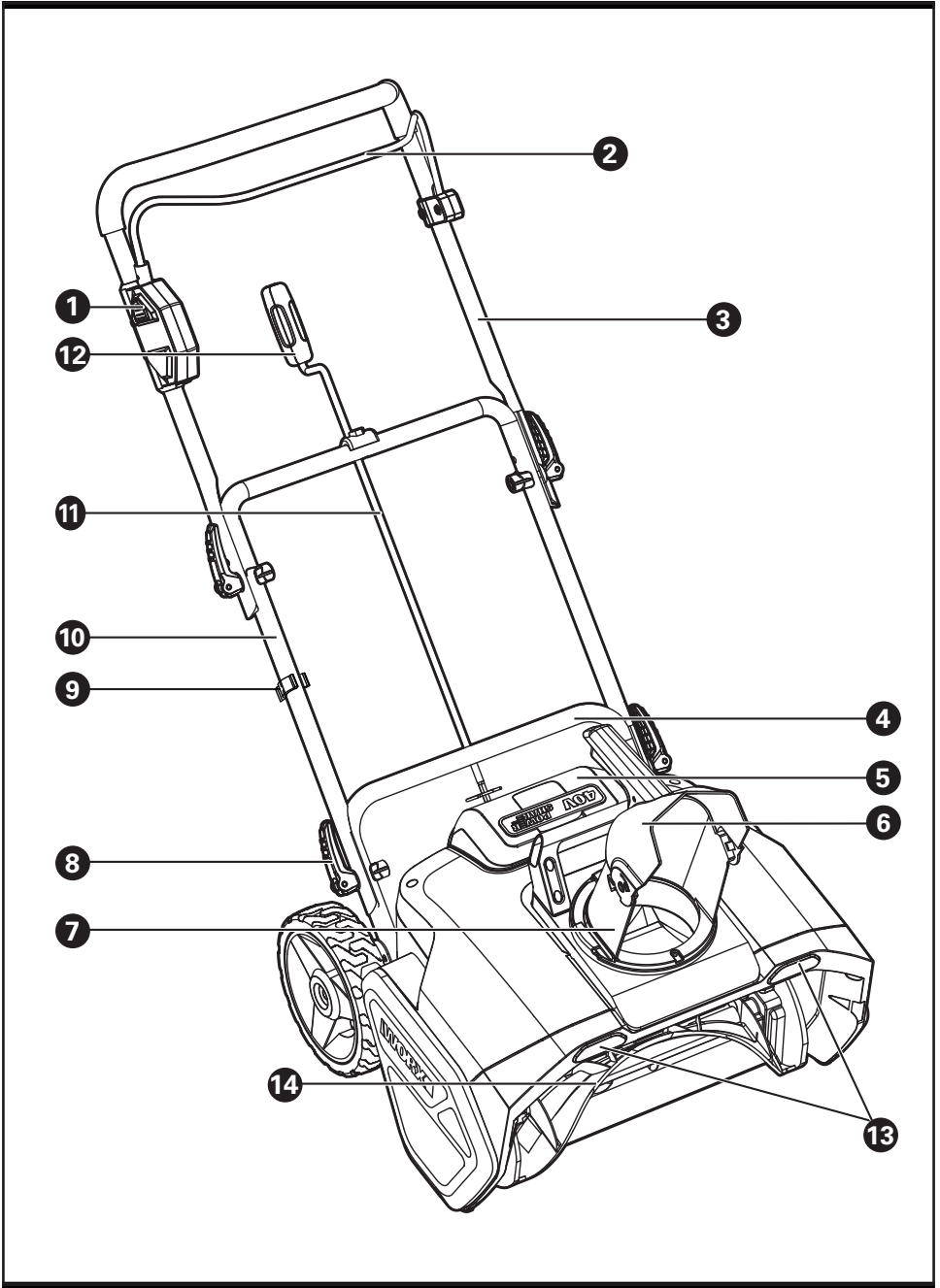
2x20V снегоочиститель

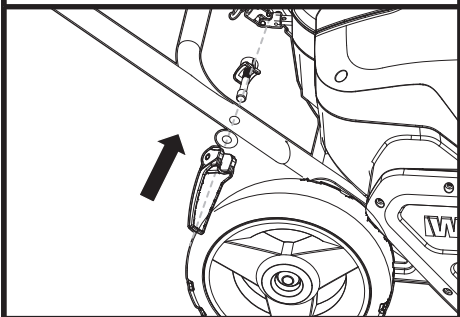
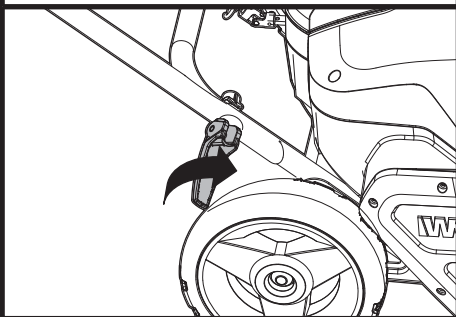
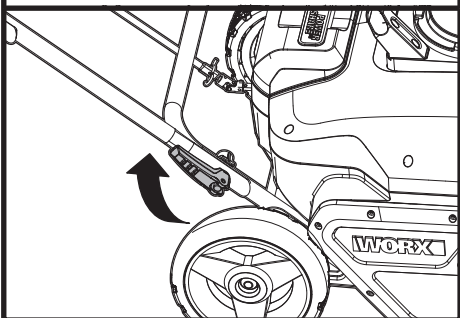
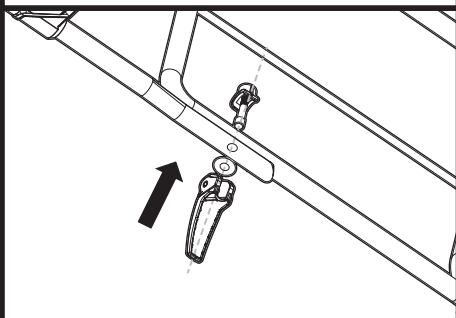
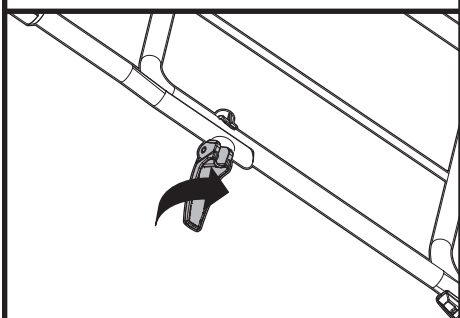
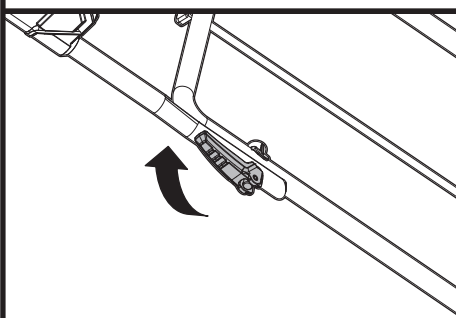
RU

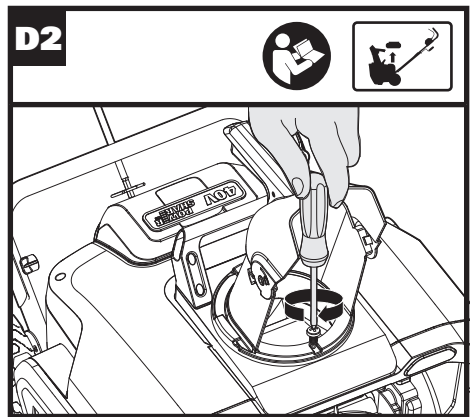
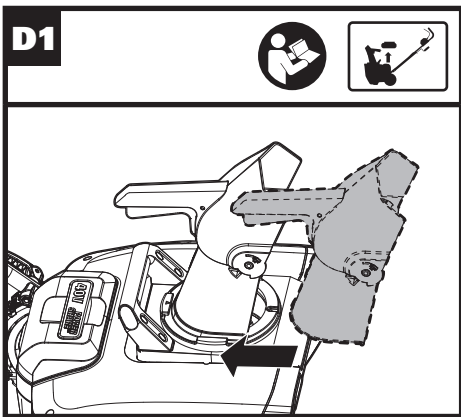
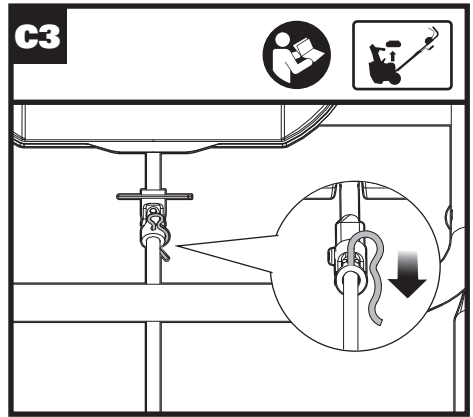
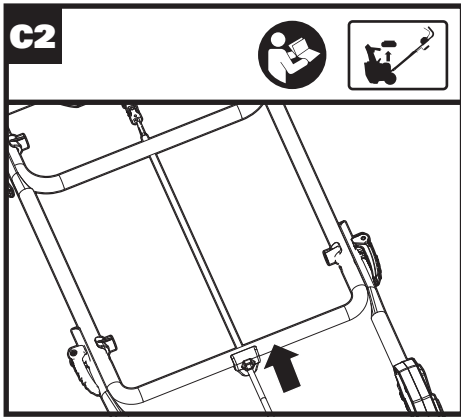
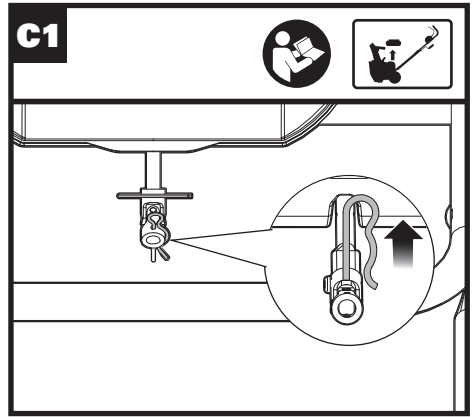
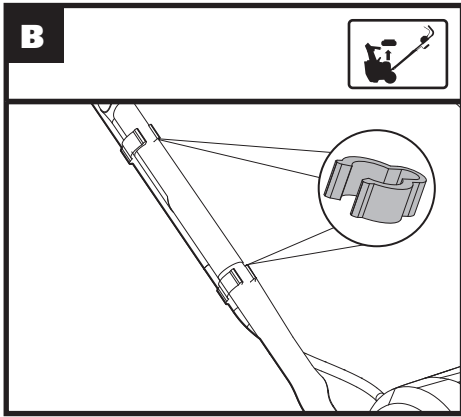
P15

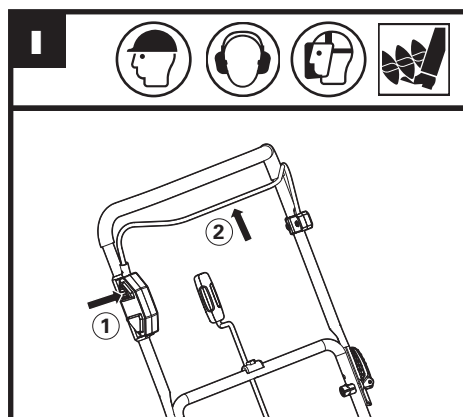
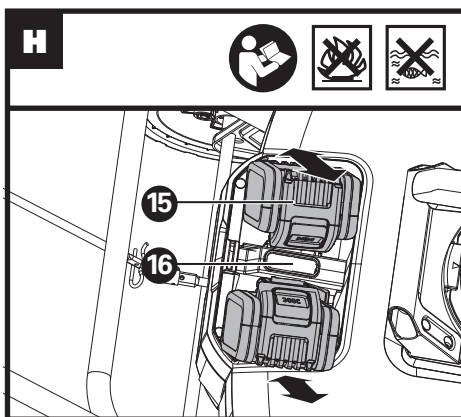
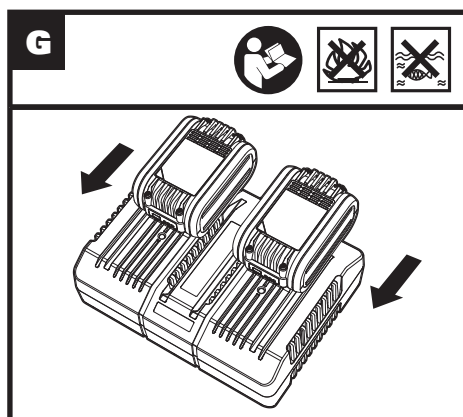
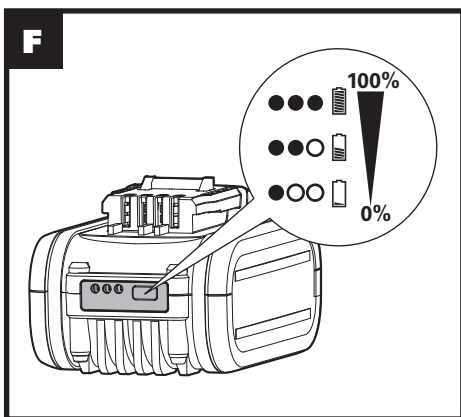
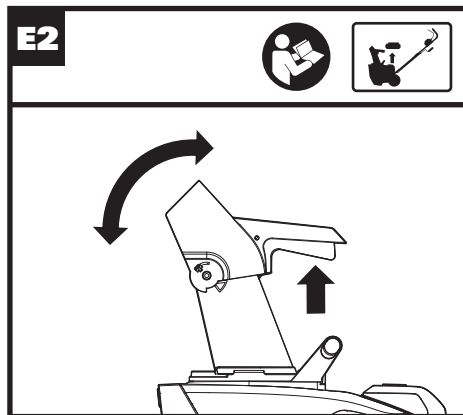
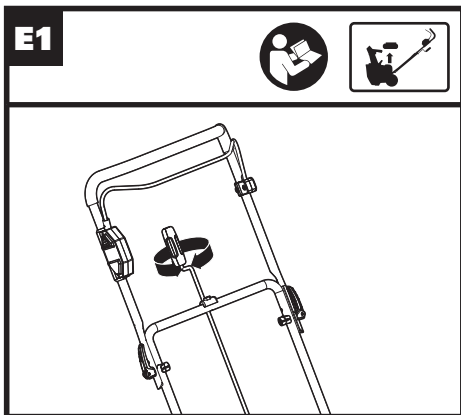
WG471E WG471E.9

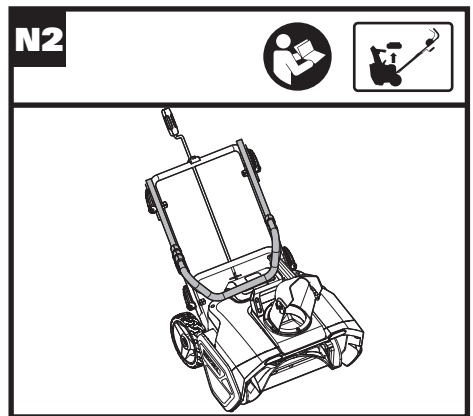
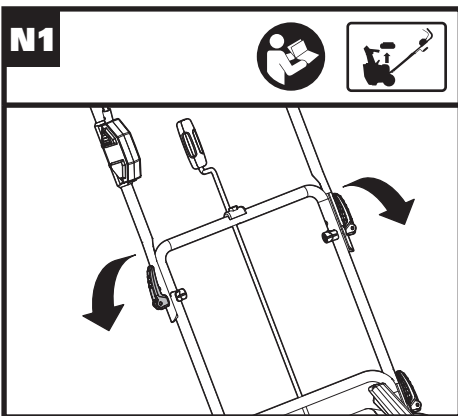
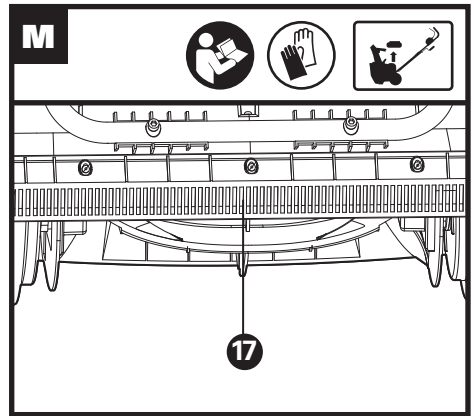
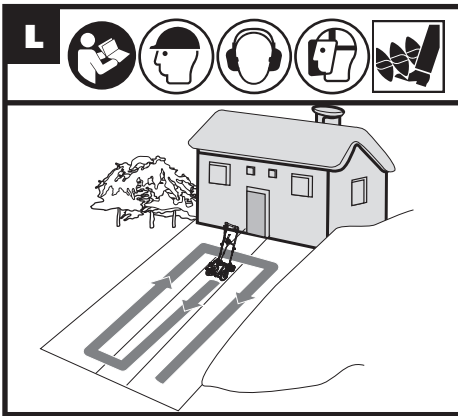
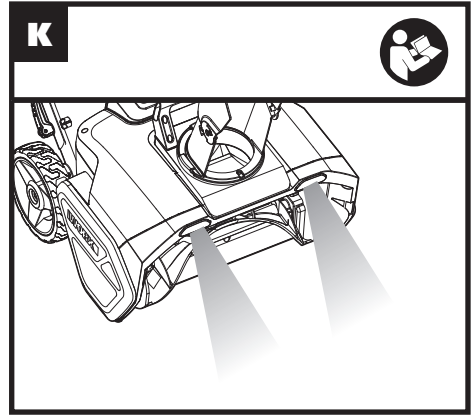
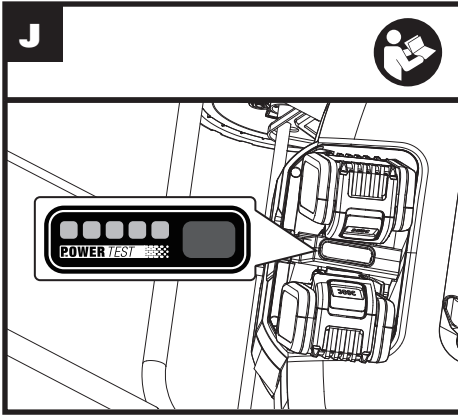




A1**A2****A3****A4****A5****A6**







PRODUCT SAFETY

GENERAL POWER TOOL

SAFETY WARNINGS



WARNING Read all safety warnings, instructions, illustrations and specifications provided with this power

tool. Failure to follow all instructions listed below may result in electric shock, fire and/or serious injury.

Save all warnings and instructions for future reference.

The term "power tool" in the warnings refers to your mains-operated (corded) power tool or battery-operated (cordless) power tool.

1) Work area safety

- a) **Keep work area clean and well lit.** Cluttered or dark areas invite accidents.
- b) **Do not operate power tools in explosive atmospheres, such as in the presence of flammable liquids, gases or dust.** Power tools create sparks which may ignite the dust or fumes.
- c) **Keep children and bystanders away while operating a power tool.** Distractions can cause you to lose control.

2) Electrical safety

- a) **Power tool plugs must match the outlet. Never modify the plug in any way.** Do not use any adapter plugs with earthed (grounded) power tools. Unmodified plugs and matching outlets will reduce risk of electric shock.
- b) **Avoid body contact with earthed or grounded surfaces, such as pipes, radiators, ranges and refrigerators.** There is an increased risk of electric shock if your body is earthed or grounded.
- c) **Do not expose power tools to rain or wet conditions.** Water entering a power tool will increase the risk of electric shock.
- d) **Do not abuse the cord. Never use the cord for carrying, pulling or unplugging the power tool.** Keep cord away from heat, oil, sharp edges or moving parts. Damaged or entangled cords increase the risk of electric shock.
- e) **When operating a power tool outdoors, use an extension cord suitable for outdoor use.** Use of a cord suitable for outdoor use reduces the risk of electric shock.
- f) **If operating a power tool in a damp location is unavoidable, use a residual current device (RCD) protected supply.** Use of an RCD reduces the risk of electric shock.

3) Personal safety

- a) **Stay alert, watch what you are doing and use common sense when operating a**

power tool. Do not use a power tool while you are tired or under the influence of drugs, alcohol or medication. A moment of inattention while operating power tools may result in serious personal injury.

- b) **Use personal protective equipment. Always wear eye protection.** Protective equipment such as dust mask, non-skid safety shoes, hard hat, or hearing protection used for appropriate conditions will reduce personal injuries.
 - c) **Prevent unintentional starting. Ensure the switch is in the off-position before connecting to power source and/or battery pack, picking up or carrying the tool.** Carrying power tools with your finger on the switch or energising power tools that have the switch on invites accidents.
 - d) **Remove any adjusting key or wrench before turning the power tool on.** A wrench or a key left attached to a rotating part of the power tool may result in personal injury.
 - e) **Do not overreach. Keep proper footing and balance at all times.** This enables better control of the power tool in unexpected situations.
 - f) **Dress properly. Do not wear loose clothing or jewellery.** Keep your hair and clothing away from moving parts. Loose clothes, jewellery or long hair can be caught in moving parts.
 - g) **If devices are provided for the connection of dust extraction and collection facilities, ensure these are connected and properly used.** Use of dust collection can reduce dust-related hazards.
 - h) **Do not let familiarity gained from frequent use of tools allow you to become complacent and ignore tool safety principles.** A careless action can cause severe injury within a fraction of a second.
- #### 4) Power tool use and care
- a) **Do not force the power tool.** Use the correct power tool for your application. The correct power tool will do the job better and safer at the rate for which it was designed.
 - b) **Do not use the power tool if the switch does not turn it on and off.** Any power tool that cannot be controlled with the switch is dangerous and must be repaired.
 - c) **Disconnect the plug from the power source and/or remove the battery pack, if detachable, from the power tool before making any adjustments, changing accessories, or storing power tools.** Such preventive safety measures reduce the risk of starting the power tool accidentally.
 - d) **Store idle power tools out of the reach of children and do not allow persons unfamiliar with the power tool or these instructions to operate the power tool.** Power tools are dangerous in the hands of untrained users.
 - e) **Maintain power tools and accessories.**

Check for misalignment or binding of moving parts, breakage of parts and any other condition that may affect the power tool's operation. If damaged, have the power tool repaired before use. Many accidents are caused by poorly maintained power tools.

- f) Keep cutting tools sharp and clean.** Properly maintained cutting tools with sharp cutting edges are less likely to bind and are easier to control.
- g) Use the power tool, accessories and tool bits etc. in accordance with these instructions, taking into account the working conditions and the work to be performed.** Use of the power tool for operations different from those intended could result in a hazardous situation.
- h) Keep handles and grasping surfaces dry, clean and free from oil and grease.** Slippery handles and grasping surfaces do not allow for safe handling and control of the tool in unexpected situations.
- 5) Battery tool use and care**
 - a) Recharge only with the charger specified by the manufacturer.** A charger that is suitable for one type of battery pack may create a risk of fire when used with another battery pack.
 - b) Use power tools only with specifically designated battery packs.** Use of any other battery packs may create a risk of injury and fire.
 - c) When battery pack is not in use, keep it away from other metal objects, like paper clips, coins, keys, nails, screws or other small metal objects, that can make a connection from one terminal to another.** Shorting the battery terminals together may cause burns or a fire.
 - d) Under abusive conditions, liquid may be ejected from the battery; avoid contact. If contact accidentally occurs, flush with water.** If liquid contacts eyes, additionally seek medical help. Liquid ejected from the battery may cause irritation or burns.
 - e) Do not use a battery pack or tool that is damaged or modified.** Damaged or modified batteries may exhibit unpredictable behaviour resulting in fire, explosion or risk of injury.
 - f) Do not expose a battery pack or tool to fire or excessive temperature.** Exposure to fire or temperature above 130 °C may cause explosion.
 - g) Follow all charging instructions and do not charge the battery pack or tool outside the temperature range specified in the instructions.** Charging improperly or at temperatures outside the specified range may damage the battery and increase the risk of fire.
- 6) Service**
 - a) Have your power tool serviced by a qualified repair person using only identical replacement parts.** This will ensure that the safety of the power tool is maintained.

b) Never service damaged battery packs.

Service of battery packs should only be performed by the manufacturer or authorized service providers.

Safety instructions for snowthrowers.

Training

- 1) Read the operating and service instruction manual carefully. Be thoroughly familiar with the controls and the proper use of the equipment. Know how to stop the unit and disengage the controls quickly.
- 2) Never allow children to operate the equipment. Never allow adults to operate the equipment without proper instruction.
- 3) Keep the area of operation clear of all persons, particularly small children, and pets.
- 4) Exercise caution to avoid slipping or falling, especially when operating in reverse.

Preparation

- 1) Thoroughly inspect the area where the equipment is to be used and remove all doormats, sleds, boards, wires, and other foreign objects.
- 2) Do not operate the equipment without wearing adequate winter garments. Wear footwear which will improve footing on slippery surfaces.
- 3) Adjust the collector housing height to clear gravel or crushed rock surface.
- 4) Never attempt to make any adjustments while the motor is running (except where specifically recommended by manufacturer).
- 5) The operation of any powered machine can result in foreign objects being thrown into the eyes. Always wear safety glasses or eye shields during operation or while performing an adjustment or repair.

Operation

- 1) Do not put hands or feet near or under rotating parts. Keep clear of the discharge opening at all times.
- 2) Exercise extreme caution when operating on or crossing gravel drives, walks, or roads. Stay alert for hidden hazards or traffic.
- 3) After striking a forging object, stop the motor, remove battery pack from the machine, thoroughly inspect the snowthrower for any damage, and repair the damage before restarting and operating the snowthrower.
- 4) If the machine starts to vibrate abnormally, stop the motor and check immediately for the cause. Vibration is generally a warning of trouble.
- 5) Stop the motor whenever you leave the operating position, before unclogging the collector/impeller housing or discharge guide, and when making any repairs, adjustments, or inspections.
- 6) When cleaning, repairing, or inspecting, make certain the collector/impeller and all moving

parts have stopped. Remove battery pack from the machine to prevent accidental starting.

- 7) Do not clear snow across the face of slopes, Exercise extreme caution when changing direction on slopes. Do not attempt to clear steep slopes.
- 8) Never operate the snowthrower without proper guards, plates or other safety protective devices in place.
- 9) Never operate the snowthrower near glass enclosures, automobiles, window wells, offs, etc. without pro-per adjustment of the snow discharge angle. Keep children and pets away.
- 10) Do not overload the machine capacity by attempting to clear snow at too fast a rate.
- 11) Never operate the machine at high transport speeds on slippery surfaces. Use care when reversing.
- 12) Never direct discharge at bystanders or allow anyone in front of the unit.
- 13) Disengage power to the collector/impeller when snowthrower is transported or not in use.
- 14) Use only attachments and accessories approved by the manufacturer of snowthrower (such as wheel weights, counterweights, cabs, etc.).
- 15) Never operate the snowthrower without good visibility or light. Always be sure of your footing, and keep a firm hold on the handles. Walk; never run.

10 Clearing a Clogged Discharge Chute

Hand contact with the rotating impeller inside the discharge chute is the most common cause of injury associated with snow throwers. Never use your hand to clean out the discharge chute.

To clear the chute:

1. SHUT THE MOTOR OFF!
2. Wait 10 seconds to be sure the impeller blades have stopped rotating.
3. Always use a clean-out tool, not your hands.

Maintenance and storage

- 1) Check motor-mounted bolts, etc., at frequent intervals for proper tightness to be sure the equipment is in safe working condition.
- 2) Always refer to owner's guide instructions for important details if the snowthrower is to be stored for an extended period
- 3) Maintain or replace safety and instructions labels, as necessary.
- 4) Run the machine a few minutes after throwing snow to prevent freeze-up of the collector/impeller.









SAFETY WARNINGS FOR BATTERY PACK



- a) **Do not dismantle, open or shred cells or battery pack.**
- b) **Do not short-circuit a battery pack. Do not store battery packs haphazardly in a box or**

drawer where they may short-circuit each other or be short-circuited by conductive materials. When battery pack is not in use, keep it away from other metal objects, like paper clips, coins, keys, nails, screws or other small metal objects, that can make a connection from one terminal to another. Shorting the battery terminals together may cause burns or a fire.

- c) **Do not expose battery pack to heat or fire. Avoid storage in direct sunlight.**
- d) **Do not subject battery pack to mechanical shock.**
- e) **In the event of battery leaking, do not allow the liquid to come into contact with the skin or eyes. If contact has been made, wash the affected area with copious amounts of water and seek medical advice.**
- f) **Seek medical advice immediately if a cell or battery pack has been swallowed.**
- g) **Keep battery pack clean and dry.**
- h) **Wipe the battery pack terminals with a clean dry cloth if they become dirty.**
- i) **Battery pack needs to be charged before use. Always refer to this instruction and use the correct charging procedure.**
- j) **Do not maintain battery pack on charge when not in use.**
- k) **After extended periods of storage, it may be necessary to charge and discharge the battery pack several times to obtain maximum performance.**
- l) **Battery pack gives its best performance when it is operated at normal room temperature (20 °C ± 5 °C).**
- m) **When disposing of battery packs, keep battery packs of different electrochemical systems separate from each other.**
- n) **Recharge only with the charger specified by WORX. Do not use any charger other than that specifically provided for use with the equipment. A charger that is suitable for one type of battery pack may create a risk of fire when used with another battery pack.**
- o) **Do not use any battery pack which is not designed for use with the equipment.**
- p) **Keep battery pack out of the reach of children.**
- q) **Retain the original product literature for future reference.**
- r) **Remove the battery from the equipment when not in use.**
- s) **Dispose of properly.**
- t) **Do not mix cells of different manufacture, capacity, size or type within a device.**
- u) **Do not remove battery pack from its original packaging until required for use.**
- v) **Observe the plus (+) and minus (-) marks on the battery and ensure correct use.**

SYMBOLS

	Warning
	Read the operator's manual.
	Wear ear protection
	Wear safety footwear
	Wear protective gloves
	Wear face shield
	Wear head protection
	Avoid injury from rotating auger – Keep hands, feet, and clothing away.
	Shut off motor before unclogging discharge chute.
 Li-Ion  Li-Ion	Li-Ion battery. This product has been marked with a symbol relating to 'separate collection' for all battery packs and battery pack. It will then be recycled or dismantled in order to reduce the impact on the environment. Battery packs can be hazardous for the environment and for human health since they contain hazardous substances.
	Do not burn

	Batteries may enter water cycle if disposed improperly, which can be hazardous for ecosystem. Do not dispose of waste batteries as unsorted municipal waste.
	Remove battery from the snow thrower before carrying out any adjustment, servicing or maintenance.


COMPONENT LIST



1. LOCK-OFF BUTTON
2. OPERATING BAIL
3. UPPER HANDLE
4. LOWER HANDLE
5. BATTERY PACK COVER
6. CHUTE DEFLECTOR
7. DISCHARGE CHUTE
8. HANDLE LOCKING KNOB (WITH BOLTS AND WASHERS)
9. CABLE CLIP
10. MIDDLE HANDLE
11. CHUTE ROTATION SHAFT
12. CHUTE ROTATION HANDLE
13. LED LIGHTS
14. AUGER
15. BATTERY PACK*(SEE FIG. H)
16. BATTERY POWER INDICATOR (SEE FIG. H)
17. SCRAPER (SEE FIG. M)

* Not all the accessories illustrated or described are included in standard delivery.

TECHNICAL DATA

Type **WG471E WG471E.9** (4 - designation of machinery, representative of Battery-operated snow thrower)

	WG471E	WG471E.9
Rated voltage	40V  Max. (2x20V Max.**)	
Max. No-load speed	2300/min	
Clearing width	51cm	
Snow intake height / depth	25cm	
Operation type	Single-Stage	
Throw distance	6m	
Wheel size	20cm	

Battery type	Lithium-ion	
Battery model	WA3553 (4.0Ah)	/
Charger model	WA3883	/
Charger rating	Input: 100-240V~50-60Hz, 100W Output 1: 20V  , 2.0A *** Output 2: 20V  , 2.0A ***	/
Charging time (approx.) Battery pack: 4.0 Ah (1pc) 4.0 Ah (2pcs)	1hr 2hrs	/
Machine weight	19kg	16.2kg

**Voltage measured without workload. Initial battery voltage reaches maximum of 20 volts. Nominal voltage is 18 volts.

***Charger output 1 and output 2 means two ports with the same output voltage and current.

ACCESSORIES

	WG471E	WG471E.9
Battery pack (WA3553)	2	/
Charger (WA3883)	1	/
Cable clip	2	2
Hex key	1	1

We recommend that you purchase your accessories from the same store that sold you the tool. Refer to the accessory packaging for further details. Store personnel can assist you and offer advice.

OPERATION INSTRUCTIONS



NOTE: Read instruction handbook before operation this machine.

INTENDED USE:

This tool is intended for snow throwing. It is only for outdoor usage.

ASSEMBLY AND OPERATION

ACTION	FIGURE
ASSEMBLY	
Assembling the handle bar NOTE: Choose one of the two holes in the upper handle for desired handle's height when attaching the upper handle. Do not over tighten the handle locking knob in case it cannot be locked. IMPORTANT: When attaching the middle handle, make sure the chute rotation shaft mounting hole on the middle handle is facing downwards (side of bar where hole is indented).	See Fig. A1-A6
Using the cable clips	See Fig. B
Assembling the chute crank NOTE: Make sure the chute rotation shaft rest below the middle handle.	See Fig. C1-C3
Assembling the discharge chute NOTE: When attaching, make sure the discharge chute fully seated into position and gently pulling it outwards to make sure it is locked into position securely.	See Fig. D1, D2

Adjusting throw direction and throw height

NOTE: The discharge chute can be adjusted 180 degrees by rotating the chute rotation handle.



WARNING: Never direct the snow discharge chute at the operator, at bystanders, at vehicles or at nearby windows. The discharged snow and foreign objects accidentally picked up by the snow thrower can cause serious damage and personal injury. Always orient the discharge chute in the opposite direction from where you, bystanders, surrounding vehicles, or windows are located. WARNING: Make sure that the chute deflector snaps and locks completely onto the discharge chute. An opening between the discharge chute and the chute deflector may allow foreign objects to be picked up by the snow thrower and thrown in the direction of the operator causing serious boldly injury. Do not advance the chute deflector too far forward causing an opening to appear between the chute deflector and discharge chute.

See Fig. E1, E2

Checking the battery charge condition

See Fig. F

Charging the battery pack
NOTE: The battery is shipped uncharged. The battery must be fully charged before the first mow. Always fully charge the two batteries at same time. More details can be found in charger's manual.

See Fig. G

Fitting/Removing battery

NOTE: This machine will only run when 2 batteries are installed. It is recommended to use the same two batteries and charge the two batteries at the same time. When you use two batteries with different power, the machine will only run to the lower common denominator.

See Fig. H

OPERATION	
Starting & stopping	See Fig. I
Battery power indicator on the machine See details in BATTERY STATUS part IMPORTANT When only one light is illuminated, at least one battery is almost depleted and needs to be charged, even though the snow thrower may still be capable of cutting grass. Continuing to operate your snow thrower with the battery in this discharged condition may reduce the life and performance of your battery. When no light is illuminated, at least one battery is not fully installed or battery may be defective, please double check the batteries are fully seated into position.	See Fig. J
LED lights To turn on the light, with one hand press and hold the lock-off button, with the other hand squeeze the operating bail towards the upper handle. When you release the operating bail, the light will be off. LED lighting increases visibility - great for dark or enclosed area.	See Fig. K

BATTERY STATUS (See Fig. J)

Before starting or after use, press the button beside the power indicator light on the machine to check the battery capacity. During operation, the battery capacity will be indicated automatically by the battery power indicator.

The indicator constantly senses and displays the battery condition as follows.

For the machine with 2 battery packs with different power, the power indicator light displays the battery condition with the lower one of the two batteries.

Battery power indicator status	Battery condition
Five green lights (●●●●●) are illuminated.	The two batteries are fully charged.

Two, three or four green lights are illuminated.	The two batteries have a remaining charge. The more lights are illuminated, the more battery capacity.
Only one green light (●○○○○) is illuminated.	At least one battery is almost depleted and needs to be charged.
No light is illuminated.	At least one battery is not fully installed or battery may be defective.
Only one light is flashing twice per cycle.	At least one battery is over discharged (please refer to the battery charge condition), please recharge the two batteries at once before use again or storage.
Only one light is flashing three times per cycle.	At least one battery is hot, wait for them cool down before start again.
Only one light is flashing four times per cycle.	The machine is over load.

HOW TO CLEAR A DRIVEWAY/EXPERTS OFFER TACTICAL TIPS (See Fig. L) SNOW THROWER (NON-WINDY CONDITIONS)

- (1) Cut a path straight down the middle of the driveway with the discharge chute facing left.
- (2) Without adjusting the discharge chute, turn machine around 180 degrees.
- (3) Return to driveway's start. Turn machine the same direction as before.
- (4) Continue making circles outward in this direction until the driveway is clear.

MAINTENANCE

Important: All electrical repairs should be performed only by an Authorized Service Dealer.

NOTE: Determine the left and right sides of the machine from the normal operating position.

⚠ WARNING: If the extension cord is plugged into the snow thrower, someone could accidentally operate snow thrower while you are performing maintenance on it, causing serious personal injury.

Remove the battery pack before you perform

any maintenance.

1. GENERAL MAINTENANCE TIPS

- (1) Do not attempt to repair the machine unless you have the proper tools and instructions for disassembly and repair of the machine.
- (2) Check bolts at frequent intervals for proper tightness to ensure that the equipment is in safe working condition.
- (3) After each snow removal session, run the snow thrower for a few minutes to prevent the auger from freezing. Shut off the motor, wait for all revolving parts to stop completely, and wipe residual ice and snow off the unit. Rotate the chute rotation handle several times to remove any excess snow.

2. REPLACING THE SCRAPER (See Fig. M)

The scraper (17) is located at the base of the snow thrower beneath the rotor housing.

- (1) Detach the worn scraper from the snow thrower by removing the 3 screws that hold it in place.
- (2) Install the new scraper and fasten it securely to the snow thrower with 3 screws.

STORAGE

1. Allow the motor to cool and clean the snow thrower before storing or transporting. Be sure to secure the unit while transporting.
2. Remove the battery pack from the snow thrower.
3. Inspect the snow thrower carefully for worn, loose, or damaged parts. Check connections and screws and tighten if necessary. For repairing or replacing parts, contact your WORX dealer.
4. Store the unit, along with the removed battery

TROUBLE SHOOTING

The following table gives checks and actions that you can perform if your machine does not operate correctly. If these do not identify and correct the problem, contact your service agent.

WARNING: Switch the machine off and remove the battery prior to any troubleshooting.

PROBLEM	POSSIBLE CAUSE	SOLUTION
The handle is not in position.	Handle locking knobs are not secured.	Make sure that the knobs are fully tightened and closed.
The snow thrower doesn't start.	Lock-off button is not depressed. The operating bail is defective. Battery capacity is low. The battery is not attached to the motor.	Press the lock-off button and then squeeze the operating bail. Have the switch replaced by an authorized service center. Charge the battery. Check the connection between the motor connector and the battery.
The motor is on, but the auger does not turn.	The belt is worn or damaged.	Replace the belt.
The snow thrower leaves a thin layer of snow behind.	The scraper is worn.	Please refer to "REPLACING THE SCRAPER" section in this manual.

5. To aid storage, release the handle locking knob, and fold the upper handle as shown in Fig. N1, N2.

For battery tools

The ambient temperature range for the use and storage of tool and battery is 0°C-45°C (32°F-113°F). The snow blower may not properly start if its battery temperature is -4°F (-20°C) or less. If unit doesn't start, remove the battery from the snow blower and allow it to warm indoors for 10 minutes or longer. Reinstall the battery and try again. The recommended ambient temperature range for the charging system during charging is 0°C-40°C (32°F-104°F).

ENVIRONMENTAL PROTECTION



Disposal

The machine, its accessories and packaging materials should be sorted for environmentally friendly recycling. The plastic components are labeled for categorized recycling.

БЕЗОПАСНОСТЬ ИЗДЕЛИЯ

ОБЩИЕ ПРЕДОСТЕРЕЖЕНИЯ ПО ТЕХНИКЕ БЕЗОПАСНОСТИ ПРИ РАБОТЕ С ЭЛЕКТРОИНСТРУМЕНТОМ



ПРЕДОСТЕРЕЖЕНИЕ Внимательно ознакомьтесь со всеми

предупреждениями по технике безопасности, инструкциями, рисунками и спецификациями, прилагаемыми к этому электроинструменту.

Невыполнение всех нижеприведенных инструкций и рекомендаций может привести к поражению электрическим током, пожару и/или серьезным травмам.

СОХРАНИТЕ ВСЕ ИНСТРУКЦИИ И ПРЕДОСТЕРЕЖЕНИЯ ДЛЯ ДАЛЬНЕЙШЕГО ИСПОЛЬЗОВАНИЯ.

Термин “электроинструмент” в предупреждениях относится к вашему электроинструменту с питанием от сети (шнур) или к электроинструменту с батарейным питанием (беспроводной).

1) БЕЗОПАСНОСТЬ РАБОЧЕЙ ЗОНЫ

a) Держите рабочую зону чистой и хорошо освещенной. Загроможденные или затемненные зоны предрасполагают к несчастным случаям.

b) Не используйте электроинструменты во взрывоопасных средах, например, в присутствии легковоспламеняющихся жидкостей, газов или пыли.

Электроинструменты создают искры, которые могут воспалить пыль или пары.

c) Держите детей и прохожих в стороне во время работы с электроинструментом. Отвлекающие факторы могут привести к потере контроля над инструментом.

2) ЭЛЕКТРОБЕЗОПАСНОСТЬ

a) Вилки с электроинструментом должны соответствовать розетке. Никогда не изменяйте штепсель каким-либо образом. Запрещается использовать любые переходники с заземленными электроинструментами. Не модифицированные вилки и соответствующие розетки уменьшают риск поражения электрическим током.

b) Избегайте контакта тела с заземленными поверхностями, такими как трубы, радиаторы, плиты и холодильники. Существует повышенный риск поражения электрическим током, если ваше тело заземлено.

c) Не подвергайте электроинструмент воздействию дождя или влажности. Вода, попадающая в электроинструмент, повысит риск поражения электрическим током.

d) Запрещается применять шнур не по

назначению. Никогда не используйте шнур для переноски, вытягивания или отсоединения электроинструмента. Держите шнур вдали от тепла, масла, острых краев или движущихся частей. Поврежденные или запутанные шнуры повышают риск поражения электрическим током.

- e) При работе с электроинструментом на открытом воздухе используйте удлинитель, предназначенный для использования на открытом воздухе.** Использование шнура, подходящего для использования на открытом воздухе, снижает риск поражения электрическим током.
- f) Если работа электроинструмента во влажном месте неизбежна, используйте устройство защитного отключения.** Использование УЗО снижает риск поражения электрическим током.

3) ЛИЧНАЯ БЕЗОПАСНОСТЬ

a) Будьте внимательны, следите за тем, что вы делаете, и используйте здоровым смыслом при работе с электроинструментом. Не используйте электроинструмент во время усталости или под воздействием наркотиков, алкоголя или медикаментов. Невнимательность при работе электроинструмента может привести к серьезной травме.

b) Используйте средства индивидуальной защиты. Всегда надевайте защитные очки. Защитное оборудование, такое как пылезащитная маска, нескользящая защитная обувь, каски или защита слуха, используемые для соответствующих условий, уменьшат риск возникновения травмы.

c) Предотвращение непреднамеренного запуска. Перед подключением к источнику питания и / или батарейному блоку убедитесь, что переключатель находится в положении “выключено”. Перенос электроинструментов с пальцем на выключателе или зарядка включенных электроинструментов приводит к несчастным случаям.

d) Перед включением электроинструмента уберите любые посторонние гаечные ключи. Ключ, прикрепленный к вращающейся части электроинструмента, может стать причиной травмы.

e) Не наклоняйтесь. Постоянно сохраняйте равновесие. Это позволяет лучше контролировать электроинструмент в неожиданных ситуациях.

f) Одевайтесь должным образом. Не надевайте свободную одежду или украшения. Держите волосы, одежду и перчатки вдали от движущихся частей. Свободная одежда, ювелирные изделия или длинные волосы могут быть зацеплены движущимися частями.

g) Если устройства оборудованы соединением для удаления пыли и подключения коллекторов, убедитесь, что такое оборудование подключено и используется должным образом.

Использование пылеулавливателей может уменьшить опасность, связанную с пылью.

- h) Не позволяйте опыту, полученному при частом использовании инструментов, расслабиться и игнорировать принципы безопасной работы с инструментами.** Неосторожное действие может привести к серьезной травме в течение доли секунды.

4) ИСПОЛЬЗОВАНИЕ ЭЛЕКТРОИНСТРУМЕНТА И УХОД ЗА НИМ

- a) Запрещается избыточно загружать электроинструмент.** Используйте подходящий электроинструмент для вашей работы. Правильно подобранный электроинструмент сделает работу, для которой он был разработан, лучше и безопаснее.
- b) Не используйте электроинструмент, если выключатель не работает.** Любой электроинструмент, который не может управляться с помощью переключателя, опасен и должен быть отремонтирован.
- c) Перед выполнением любых регулировок, заменой принадлежностей или хранением электроинструмента отсоедините штекер от источника питания и / или аккумуляторной батареи от электроинструмента.** Такие предупредительные меры безопасности уменьшают риск случайного запуска электроинструмента.
- d) Храните электроинструменты в недоступном для детей месте и не позволяйте лицам, незнакомым с электроинструментом или с этой инструкцией, работать с ним.** Инструменты опасны в руках необученных пользователей.
- e) Обслуживайте электроинструменты. Проверьте несосность движущихся частей, помолку деталей и любые другие состояния, которые могут повлиять на работу электроинструмента.** В случае повреждения отремонтируйте электроинструмент перед использованием. Многие несчастные случаи связаны с плохим обслуживанием электроинструментов.
- f) Поддерживайте заточку и чистоту режущих инструментов.** Правильно обслуживаемые режущие инструменты с острыми режущими кромками легче контролировать, и снижается вероятность их деформации.
- g) Используйте электроинструмент, принадлежности и т. д. в соответствии с этими инструкциями, с учетом условий выполняемой работы.** Использование электроинструмента для операций, отличающихся от предназначенного использования, может привести к опасной ситуации.
- h) Следите, чтобы руки и захватные поверхности были сухими, чистыми и свободными от смазочного масла и консистентной смазки.** Скользкие ладони и захватные поверхности не позволят безопасно обращаться с инструментом и контролировать его в непредвиденных ситуациях.

5) ИСПОЛЬЗОВАНИЕ И ОБСЛУЖИВАНИЕ АККУМУЛЯТОРНЫХ ИНСТРУМЕНТОВ

- a) Для зарядки используйте только зарядное устройство, указанное изготовителем.** Зарядное устройство, которое подходит для одного типа аккумуляторов, может представлять опасность возгорания при использовании с другим типом аккумуляторов.
- b) Используйте электроинструменты только со специально предназначенными аккумуляторами.** Использование любого другого типа аккумуляторов может стать причиной травм и пожара.
- c) Когда аккумулятор не используется, храните его подальше от других металлических предметов, например, скрепок, монет, ключей, гвоздей, винтов или других небольших металлических предметов, которые могут привести к замыканию клемм.** Замыкание клемм аккумулятора может стать причиной ожогов или пожара.
- d) В неблагоприятных условиях из аккумулятора может вытекать жидкость; избегайте контакта с этой жидкостью.** Если контакт все же произошел, промойте пострадавшее место водой. Если жидкость попала в глаза, немедленно обратитесь за медицинской помощью. Жидкость, вытекшая из аккумулятора, может вызвать раздражение или ожоги.
- e) Не используйте аккумулятор или инструмент в случае их повреждения или изменения.** Поврежденные или измененные аккумуляторы могут вести себя непредсказуемо, что может стать причиной пожара, взрыва или опасности получения травмы.
- f) Не подвергайте аккумулятор или инструмент воздействию огня или избыточной температуры.** Воздействие огня или температуры выше 130°C может стать причиной взрыва.
- g) Выполняйте все инструкции по зарядке и не заряжайте аккумулятор или инструмент вне пределов диапазона температур, указанных в инструкциях.** Неправильная зарядка или зарядка при температурах, которые выходят за пределы указанного диапазона, может повредить аккумулятор и увеличить опасность пожара.

6) ОБСЛУЖИВАНИЕ

- a) Обслуживайте свой инструмент только с помощью квалифицированного специалиста по ремонту, используя только идентичные запасные части.** Это обеспечит поддержание безопасности электроинструмента.
- b) Никогда не обслуживайте поврежденные аккумуляторы.** Обслуживание аккумуляторов должно выполняться только изготовителем или авторизованными сервисными провайдерами.

Техника безопасности для

снегоочистителей

Тренировка

- 1) Внимательно прочтите инструкции по эксплуатации и обслуживанию. Полностью разберитесь с управлением и правильным использованием оборудования. Запомните, как быстро остановить и выключить устройство.
- 2) Никогда не позволяйте детям работать с оборудованием. Никогда не позволяйте взрослым работать с оборудованием без тщательного ознакомления с инструкциями.
- 3) Позаботьтесь о том, чтобы в зоне уборки не было людей, особенно маленьких детей, и животных.
- 4) Потренируйтесь, чтобы не поскользнуться и не падать, особенно при движении задним ходом.

Подготовка

- 1) Внимательно осмотрите место, на котором предстоит применять оборудование, и уберите все половички, санки, доски, провода и другие посторонние предметы.
- 2) Не работайте с оборудованием, не надев подходящую зимнюю одежду. Наденьте обувь, помогающую прочно стоять на скользкой поверхности.
- 3) Отрегулируйте высоту ковша, чтобы очищать поверхность от гравия или щебня.
- 4) Никогда не пытайтесь выполнять регулировку при работающем двигателе (кроме тех случаев, когда это специально рекомендовано производителем).
- 5) Работа с любой техникой с двигателем может привести к попаданию посторонних предметов в глаза. При работе, регулировке и ремонте всегда надевайте защитные очки или щиток, защищающий глаза.

Работа

- 1) Не подносите близко к вращающимся деталям и не помещайте под ними руки или ноги; все время держитесь на расстоянии от разгрузочного отверстия.
- 2) Соблюдайте предельную осторожность при пересечении гравийных автомобильных путей и пешеходных дорожек. Опасайтесь скрытых опасностей и движения транспорта.
- 3) В случае столкновения с металлическим предметом заглушите двигатель, отключите аппарат от источника питания, внимательно осмотрите снегоочиститель на предмет повреждений и перед повторным пуском и продолжением работы устраните эти повреждения.
- 4) Если аппарат начинает необычным образом вибрировать, заглушите двигатель и незамедлительно выясните причину этого. Как правило, вибрация говорит о неполадках.
- 5) Остановив двигатель, если хотите покинуть место работы, перед чисткой ковша и ротора, а также при починке, регулировке или осмотре.
- 6) При чистке починке или осмотре убедитесь, что ковш/ротор и все движущиеся части остановились. Во избежание случайного пуска отсоедините

аппарат от источника электроэнергии.

- 7) Не передвигайтесь поперек склона, очищая снег; при движении по склону соблюдайте предельную осторожность. Не пытайтесь очищать от снега крутые склоны.
- 8) Никогда не работайте со снегоочистителем без размещенных на своих местах защитных элементов, пластин и других предохранительных устройств.
- 9) Никогда не работайте со снегоочистителем рядом с остекленными ограждениями, автомобилями, окнами, витринами и т. д., не отрегулирував соответствующим образом угол выброса снега. Позаботьтесь о том, чтобы дети и домашние животные находились на расстоянии.
- 10) Не перегружайте аппарат, пытаясь убирать снег слишком быстро.
- 11) Никогда не перемещайте аппарат на высокой скорости по скользким поверхностям. Будьте осторожны, двигаясь задним ходом.
- 12) Никогда не направляйте струю снега на прохожих и не позволяйте никому находиться напротив машины.
- 13) При холостом перемещении или простое снегоочистителя выключайте ковш/ротор.
- 14) Используйте только одобренные производителем снегоочистителя принадлежности и дополнительные устройства (например, колесные грузы, противовесы, кабины и т. д.).
- 15) Никогда не работайте со снегоочистителем в условиях плохой видимости или освещенности. Всегда идите устойчиво и крепко держитесь за ручки. Ходите размеренным шагом, не бегите.

Очистка засоренного разгрузочного желоба

Наиболее частая причина травм, связанных со снегоочистителем – это прикосновение руками к ротору, вращающемуся внутри разгрузочного желоба. Никогда не пытайтесь очистить разгрузочный желоб руками.

Чтобы очистить желоб:

1. **ВЫКЛЮЧИТЕ ДВИГАТЕЛЬ!**
2. Подождите 10 секунд, чтобы убедиться, что лезвия ротора остановились.
3. Всегда пользуйтесь чистящим инструментом, а не руками.

Уход и хранение




- 1) Периодически проверяйте, надежно ли затянуты крепежные болты двигателя, убеждаясь в том, что оборудование находится в безопасном рабочем состоянии.
- 2) Если снегоочиститель хранится длительное время, проверьте важную информацию в руководстве по эксплуатации.
- 3) По мере необходимости обновите или замените таблички с указаниями и предостережениями.
- 4) Завершив уборку снега, дайте машине поработать еще несколько минут, чтобы не ковш и ротор не примерзли.

ПРАВИЛА ТЕХНИКИ БЕЗОПАСНОСТИ ДЛЯ АККУМУЛЯТОРНОЙ БАТАРЕИ

- a) **Не допускается разбирать, вскрывать, измельчать элементы питания и аккумуляторную батарею.**
- b) **Не допускается накоротко замыкать элементы питания или аккумулятор.** **Не допускается беспорядочно хранить элементы питания или аккумулятор в коробке или ящике, где они могут замкнуть друг друга или могут быть замкнуты другими металлическими предметами.** Если аккумуляторная батарея не используется, держите ее подальше от металлических предметов, таких как зажимы, монеты, гвозди, винты и прочие металлические предметы небольшого размера, которые могут соединить клеммы друг с другом. Короткое замыкание клемм батареи может стать причиной ожогов или пожара.
- c) **Не допускается подвергать аккумуляторную батарею воздействию высоких температур или пламени.** Избегайте хранения аккумуляторной батареи в местах, подверженных воздействию прямого солнечного света.
- d) **Не допускается подвергать аккумуляторную батарею механическим ударам**
- e) **В случае протечки аккумуляторной батареи, не допускайте контакта электролита с кожей или глазами. В случае такого контакта необходимо промыть пораженный участок обильным количеством воды и обратиться за медицинской помощью.**
- f) **В случае проглатывания элемента питания или аккумулятора необходимо незамедлительно обратиться за медицинской помощью.**
- g) **Аккумуляторную батарею необходимо содержать в чистоте и сухости.**
- h) **В случае загрязнения контактов аккумуляторной батареи их необходимо протереть чистой сухой тканью.**
- i) **Аккумуляторную батарею необходимо заряжать перед использованием. Всегда следуйте данной инструкции и используйте правильный порядок зарядки.**
- j) **Не допускается оставлять аккумулятор на зарядном устройстве, если он не используется.**
- k) **После продолжительного хранения может потребоваться несколько раз зарядить и разрядить аккумуляторную батарею для достижения максимальной эффективности ее работы.**
- l) **Аккумуляторная батарея работает наиболее эффективно при нормальной комнатной температуре (20°C ±5°C).**
- m) **При утилизации аккумуляторных батарей держите их отдельно от других электромеханических систем.**
- n) **Используйте только зарядные устройства, указанные WORX. Не допускается использовать какие-либо зарядные устройства, за исключением специально предназначенных для данного оборудования. Зарядное устройство, которое подходит для одной аккумуляторной батареи, может стать причиной пожара при использовании с другой аккумуляторной батареей.**
- o) **Не допускается использовать какие-либо аккумуляторные батареи, не предназначенные для использования с данным оборудованием.**
- p) **Храните аккумуляторную батарею в местах, недоступных для детей.**
- q) **Следует сохранить оригинальную документацию на изделие для будущего использования.**
- r) **По возможности извлекайте аккумуляторную батарею из изделия, если она не используется.**
- s) **Утилизируйте аккумуляторную батарею должным образом.**
- t) **Не используйте с устройством элементы разного производства, емкости, размера или типа.**
- u) **Не извлекайте батарейный блок из оригинальной упаковки до начала использования.**
- v) **Осмотрите отметки «плюс» (+) и «минус» (-) на батарее и удостоверьтесь в правильном использовании.**

ПРЕДУПРЕЖДАЮЩИЕ ЗНАКИ

	ВНИМАНИЕ
	Read the operator's manual.
	Наденьте защитные наушники
	Наденьте защитную обувь
	Надевайте защитные рукавицы
	Наденьте защиту для лица
	Наденьте защитную каску
	Будьте внимательны, чтобы не пораниться вращающимся шнеком – держите на расстоянии от него руки, ноги и одежду.
	Перед очисткой разгрузочного желоба выключайте двигатель.
 Li-Ion  Li-Ion	Аккумулятор Li-Ion. Этот продукт маркирован символом, означающий отдельный сбор отходов в отношении всех блоков аккумуляторов и элементов питания. Они будут переработаны или разобраны на части в целях снижения воздействия на окружающую среду. Блоки аккумуляторов могут представлять опасность для окружающей среды и здоровья людей, поскольку они содержат опасные вещества.

	Не поджигать
	Выброшенные в неподобающем месте аккумуляторы могут быть затронуты природным кругообращением воды, что нанесет вред экосистеме. Не выбрасывайте использованные аккумуляторы в баки для несортированных бытовых отходов.
	Извлеките аккумулятор из снегоочистителя перед выполнением любых настроек, уходом за оборудованием или техническим обслуживанием.

СПИСОК КОМПОНЕНТОВ



1. КНОПКА РАЗБЛОКИРОВКИ
2. ФУНКЦИОНАЛЬНАЯ РУКОЯТКА
3. ВЕРХНЯЯ РУЧКА
4. НИЖНЯЯ РУЧКА
5. КРЫШКА АККУМУЛЯТОРНОГО ОТСЕКА
6. ДЕФЛЕКТОР ЖЕЛОБА
7. РАЗГРУЗОЧНЫЙ ЖЕЛОБ
8. МАХОВИЧОК РЕГУЛИРОВКИ РУЧКИ((С БОЛТАМИ И ШАЙБАМИ)
9. КАБЕЛЬНЫЙ ЗАЖИМ
10. СРЕДНЯЯ РУЧКА
11. ВАЛ ВРАЩЕНИЯ ЖЕЛОБА
12. РУЧКА ВРАЩЕНИЯ ЖЕЛОБА
13. СВЕТОДИОДНАЯ ПОДСВЕТКА
14. ШНЕК
15. БАТАРЕЙНЫЙ БЛОК* (СМ. РИС. Н)
16. ИНДИКАТОР ЗАРЯДА БАТАРЕИ (СМ. РИС. Н)
17. РЕГУЛЯТОР НАКЛОНА ЖЕЛОБА

* Не все аксессуары, показанные или описанные, включены в стандартную поставку.

ТЕХНИЧЕСКИЕ ДАННЫЕ

Тип **WG471E WG471E.9** (4 - обозначение оборудования, модель аккумулятора снегоочистителя)

	WG471E	WG471E.9
Номинальное напряжение	40V  Max. (2x20V Max.**)	
Максимальная скорость без нагрузки	2300/мин	
Ширина захвата	51см	
Высота / глубина захватываемого снега	25см	

Тип действия	Одноступенчатый	
Расстояние выброса	6м	
Диаметр колес	20см	
Тип аккумулятора	Литий-ионный	
Модель аккумулятора	WA3553 (4.0Ah)	/
Модель зарядного устройства	WA3883	/
Ток заряда	Вход: 100-240 В ~50-60Гц, 100 Вт Выход 1: 20 В  , 2.0А *** Выход 2: 20 В  , 2.0А ***	/
Время зарядки(приблиз.) Батарейный блок: 4,0 Ач (1 шт.) 4,0 Ач (2 шт.)	1 часа 2часа	/
Вес техники	19кг	16.2кг

**Напряжение измерено без рабочей нагрузки. Первоначальное напряжение аккумулятора достигает максимум 20 В. Номинальное напряжение составляет 18 В.

***Выходы зарядного устройства 1 и 2 означают два порта с одинаковым выходным напряжением и током.

ПРИНАДЛЕЖНОСТИ

	WG471E	WG471E.9
Батарейный блок (WA3553)	2	/
Зарядное устройство(WA3883)	1	/
Кабельный зажим	2	2
шестигранный ключ	1	1

Мы рекомендуем вам приобрести аксессуары, перечисленные в приведенном выше списке, в том же магазине, где вам продали машину. Для получения дополнительной информации см. на упаковку. Сотрудники магазина могут помочь вам и дать совет.

ИНСТРУКЦИЯ ПО ЭКСПЛУАТАЦИИ



ПРИМЕЧАНИЕ. Перед началом работы с этим аппаратом прочитайте инструкцию по эксплуатации.

Назначение

Этот инструмент предназначен для уборки снега путем отбрасывания. Он рассчитан только на уличное применение.

СБОРКА И ЭКСПЛУАТАЦИЯ

Действие	Рисунок
Сборка Установка планки с рукояткой ПРИМЕЧАНИЕ: Выберите одно из двух отверстий в верхней ручке, чтобы установить верхнюю ручку на желаемую высоту. Не затягивайте регулятор фиксации ручки слишком сильно, в противном случае, ручка не сможет быть зафиксирована. ВАЖНО: При установке средней ручки убедитесь, что крепежное отверстие вала вращения желоба на средней ручке обращено вниз (сторона ручки, на которой имеется отверстие).	см. рис. А1-А6
Использование кабельных зажимов	см. рис. В
Установка управления желобом ПРИМЕЧАНИЕ: Убедитесь, что вал вращения желоба находится под средней ручкой.	см. рис. С1-С3
Сборка разгрузочного желоба ПРИМЕЧАНИЕ: При установке убедитесь, что разгрузочный желоб полностью вставлен на место и осторожно потяните его наружу, чтобы убедиться, что он надежно зафиксирован.	см. рис. D1, D2

Регулировка направления и высоты выброса
ПРИМЕЧАНИЕ: Разгрузочный желоб можно регулировать в диапазоне 180 градусов, поворачивая ручку вращения желоба.



ПРЕДУПРЕЖДЕНИЕ:
Никогда не направляйте разгрузочный желоб на оператора, прохожих, автомобили или находящиеся рядом окна. Струя снега вместе со случайными инородными предметами могут причинить серьезный ущерб имуществу и нанести травмы людям. Всегда ориентируйте разгрузочный желоб в сторону, противоположную от себя, прохожих, автомобилей и окон.
ПРЕДУПРЕЖДЕНИЕ:
Убедитесь, что регулятор наклона разгрузочного желоба полностью налажен и закреплен. Зазор между разгрузочным желобом и его регулятором может привести к тому, что подобранные вместе со снегом и выброшенные в сторону оператора посторонние предметы могут причинить серьезные травмы. Не смещайте регулятор наклона желоба слишком далеко вперед, чтобы между ними не возник такой зазор.

см. рис. E1, E2

Проверьте состояние батареи

см. рис. F

Зарядка батарейного блока
ПРИМЕЧАНИЕ: Батарея поставляется незаряженной. Перед первой эксплуатацией необходимо полностью зарядить батарею.
 Всегда полностью заряжайте две батареи одновременно. Больше информации можно получить в инструкции к зарядному устройству

см. рис. G

<p>Установка / извлечение батареи</p> <p>ПРИМЕЧАНИЕ: Эта машина будет работать только тогда, когда установлены 2 батареи. Рекомендуется использовать две одинаковые батареи и заряжать обе батареи одновременно. Когда вы используете две батареи с разной мощностью, машина будет работать только в соответствии с мощностью менее емкой батареи.</p>	см. рис. Н
РАБОТА	
Запуск и Остановка	см. рис. I
<p>Индикатор заряда батареи на агрегате</p> <p>Подробности смотрите в разделе СОСТОЯНИЕ БАТАРЕИ</p> <p>ВАЖНО Когда горит только один индикатор, по крайней мере одна батарея почти разряжена и нуждается в зарядке, даже если снегоочиститель все еще способен убирать снег. Продолжение эксплуатации снегоочистителя, когда батарея находится в таком разряженном состоянии, может снизить ее производительность и срок службы. Если ни один индикатор не горит, по крайней мере одна батарея вставлена не до конца, либо батарея может быть неисправна; убедитесь в том, что обе батареи плотно вставлены в свои гнезда.</p>	см. рис. J
<p>Светодиодная подсветка</p> <p>Чтобы включить подсветку, одной рукой нажмите и удерживайте кнопку разблокировки, а другой рукой отожмите функциональную рукоятку в направлении верхней ручки. Когда вы отпустите функциональную рукоятку, подсветка выключится. Светодиодная подсветка улучшает видимость - отлично подходит для темных или закрытых помещений.</p>	см. рис. K

СОСТОЯНИЕ БАТАРЕИ (см. Рис. J)

Перед началом или после использования нажмите кнопку рядом с индикатором питания на машине, чтобы проверить заряд аккумуляторной батареи. Во время работы заряд батареи будет автоматически указываться индикатором заряда.
Индикатор постоянно детектирует и отображает состояние батареи следующим образом.
Для машины с 2 батарейными блоками разной мощности на индикаторе питания отображается состояние батареи с наименьшей мощностью.

Состояние индикатора заряда батареи	Состояние батареи
Горят пять зеленых индикаторов (●●●●●)	Обе батареи полностью заряжены.
Горят два, три или четыре зеленых индикатора.	В двух батареях остается заряд. Чем больше индикаторов горит, тем больше величина заряда батареи.
Горит только один зеленый индикатор (●○○○○)	По крайней мере одна батарея почти разряжена и нуждается в зарядке.
Индикаторы не горят.	По крайней мере одна батарея установлена не полностью или батарея может быть неисправна.
Только один индикатор мигает дважды за цикл.	По крайней мере одна батарея чрезмерно разряжена (см. состояние зарядки батареи), необходимо перезарядить две батареи одновременно перед повторным использованием или хранением.
Только один индикатор мигает трижды за цикл.	По крайней мере одна батарея сильно нагрелась, подождите, пока батарея остынет, прежде чем продолжать работу.
Только один индикатор мигает четыре раза за цикл.	Машина перегружена.

КАК РАСЧИСТИТЬ ПОДЪЕЗДНУЮ ДОРОЖКУ / ТАКТИЧЕСКИЕ СОВЕТЫ СПЕЦИАЛИСТОВ(см. рис. L) СНЕГООЧИСТИТЕЛЬ (В БЕЗВЕТРЕННЫХ УСЛОВИЯХ)

- (1) Проложите тропинку прямо посередине подъездной дорожки с разгрузочным желобом, направленным влево.
- (2) Не меняя положение разгрузочного желоба, разверните машину на 180 градусов.
- (3) Вернитесь к началу подъездной дорожки. Разверните машину в первоначальное направление.
- (4) Продолжайте двигаться кругами по внешнему краю в том же направлении, пока дорожка не расчистится.

ТЕХНИЧЕСКОЕ ОБСЛУЖИВАНИЕ

Важно: Все ремонтные работы должны выполняться только авторизованным сервисным дилером.

ПРИМЕЧАНИЕ: Определите левую и правую стороны машины, исходя из нормального рабочего положения оператора.

⚠ ПРЕДОСТЕРЕЖЕНИЕ: Если батарейные блоки вставлены в снегоочиститель, существует опасность случайного запуска машины во время технического обслуживания, что может привести к серьезным травмам.

Снимите аккумуляторную батарею с инструмента перед выполнением любых наладочных работ, технического обслуживания или ремонта.

1. ОСНОВНЫЕ СОВЕТЫ ПО УХОДУ

- (1) Не пытайтесь чинить машину, не располагая необходимыми инструментами и инструкциями по разборке и починке.
- (2) Периодически проверяйте, надежно ли затянуты болты, убеждаясь в том, что оборудование находится в безопасном рабочем состоянии.
- (3) Каждый раз, завершив уборку снега, не выключайте снегоочиститель еще несколько минут, чтобы не примерз шнек. Выключив двигатель, подождите пока полностью не остановятся все движущиеся части, а затем сметите с машины остатки льда и снега. Поверните ручку вращения желоба несколько раз, чтобы удалить остатки снега.

2. ЗАМЕНА СКРЕБКА(см. рис. M)

Скребок (17) расположен в основании снегоочистителя, под кожухом ротора.

- (1) Снимите со снегоочистителя старый скребок, отвинтив 3 болта, которые удерживают его на месте.
- (2) Вставьте новый скребок и надежно прикрепите его к снегоочистителю 3 болтами.

ХРАНЕНИЕ

- (1) Перед помещением снегоочистителя на хранение или его перевозкой дайте двигателю остыть и очистите машину. Убедитесь, что в процессе перевозки машина надежно закреплена.
- (2) Снимите аккумулятор со снегоочистителя.

- (3) Внимательно осмотрите снегоочиститель на предмет износа, потери или повреждения его деталей. Проверьте соединения и болты и затяните их по мере необходимости. В случае необходимости ремонта или замены деталей свяжитесь со своим дилером компании WORX.
- (4) Храните снегоочиститель вместе со снятыми батарейными блоками в закрытом, сухом месте, недоступном для детей, во избежание несанкционированного использования или повреждения. Для дополнительной защиты накройте его брезентом.
- (5) Для упрощения хранения открутите регулятор фиксации ручки и сложите верхнюю ручку, как показано на рис. N1, N2..

Для аккумуляторных инструментов

Диапазон температур окружающей среды для использования и хранения инструмента и аккумулятора -0°C-45°C (32°F-113°F).

Снегоочиститель может не запуститься должным образом, если температура его батареи составляет -4°F (-20°C) или ниже. Если устройство не запускается, извлеките аккумулятор из снегоочистителя и дайте ему нагреться в помещении в течение 10 минут или дольше. Установите аккумулятор на место и попробуйте снова.

Рекомендуемый диапазон температур окружающей среды для системы зарядки во время зарядки -0°C-40°C (32°F-104°F).

ЗАЩИТА ОКРУЖАЮЩЕЙ СРЕДЫ



Утилизация

Инструмент, его аксессуары и упаковочные материалы должны сортироваться для экологически безопасной переработки. Пластиковые компоненты маркированы по категориям.

ВЫЯВЛЕНИЕ И УСТРАНЕНИЕ НЕИСПРАВНОСТЕЙ

В следующей таблице приведены проверки и действия, которые вы можете выполнить, если ваше оборудование работает неправильно. Если эти действия не помогли выявить и устранить проблему, обратитесь в вашу сервисную службу.

ПРЕДОСТЕРЕЖЕНИЕ: Выключите снегоочиститель и извлеките аккумулятор перед проверкой на наличие любых неисправностей.

ПРОБЛЕМА	ВОЗМОЖНАЯ ПРИЧИНА	РЕШЕНИЕ
Неправильное положение ручки.	Регуляторы фиксации ручки не закреплены.	Убедитесь, что регуляторы полностью затянуты и закрыты.
Снегоочиститель не запускается.	Кнопка разблокировки не отжата. Функциональная рукоятка неисправна. Низкий заряд аккумулятора. Аккумулятор не подсоединен к двигателю.	Нажмите кнопку разблокировки, а затем отожмите функциональную рукоятку. Замените переключатель в авторизованном сервисном центре. Зарядите аккумулятор. Проверьте соединение между разъемом двигателя и аккумулятором.
Двигатель включен, но шнек не вращается.	Ремень изношен или поврежден.	Замените ремень.
Снегоочиститель оставляет за собой тонкий слой снега.	Скребок изношен.	См. раздел "ЗАМЕНА СКРЕБКА" в этом руководстве.



EAC

Импортер: ООО «ПОЗИТЕК-ЕВРАЗИЯ»

Адрес: Российская Федерация, 117342, г. Москва, ул. Бутлерова, д. 17, этаж 3 ком 67

Страна производства: КНР

Изготовитель: Позитек Технолоджи (КНР) Ко. Лтд.

Адрес: Донгванг Роуд, 18, Сучжоу Индастриал Парк, Цзянсу, КНР

Срок службы изделия: 6 лет

Срок гарантии: 2 года

Дата производства изделия: указана на изделии

Телефон сервисной службы ООО «ПОЗИТЕК-ЕВРАЗИЯ»: 7 (495) 136-83-96

Электронная почта service.ru@positecgroup.com

WORX
it's your nature

www.worx.com

Copyright © 2019, Positec. All Rights Reserved.