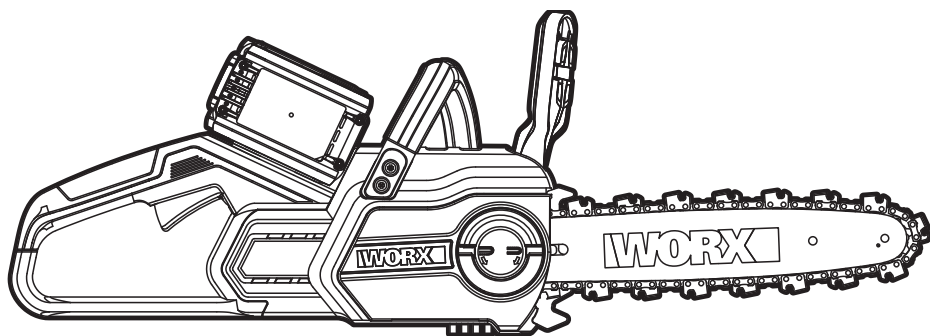


WORX®



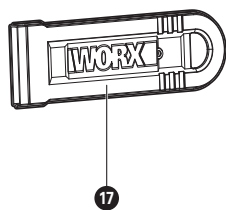
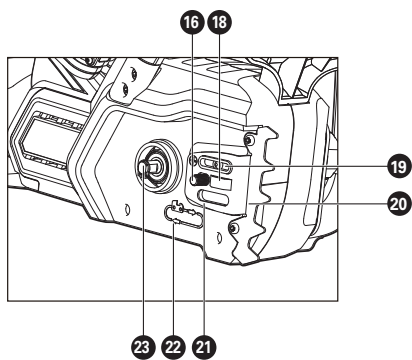
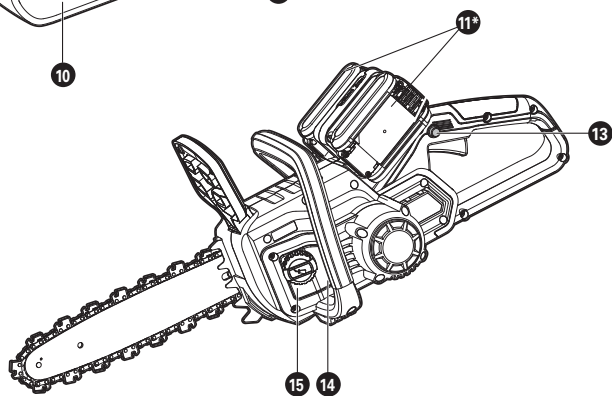
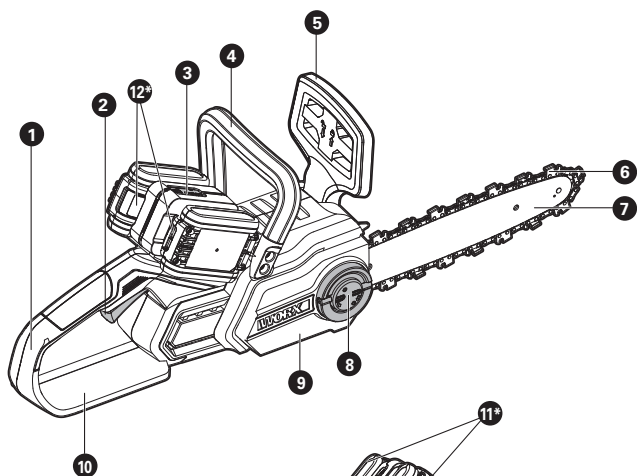
Cordless Chain Saw

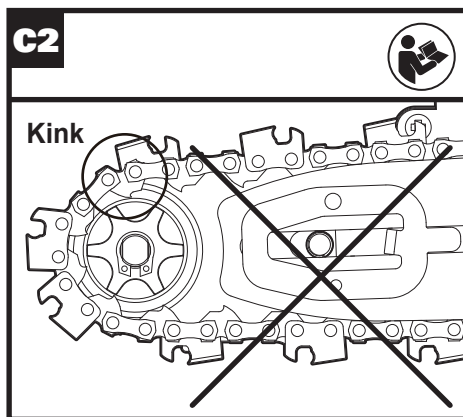
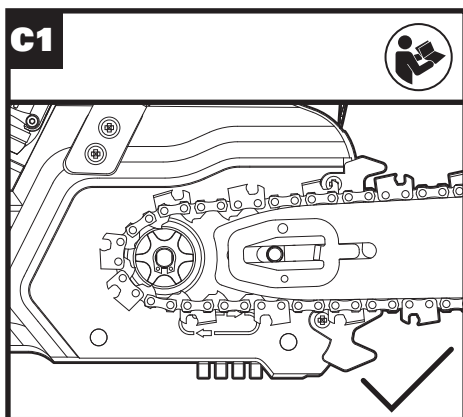
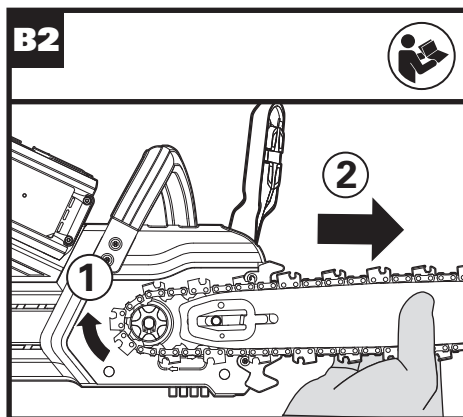
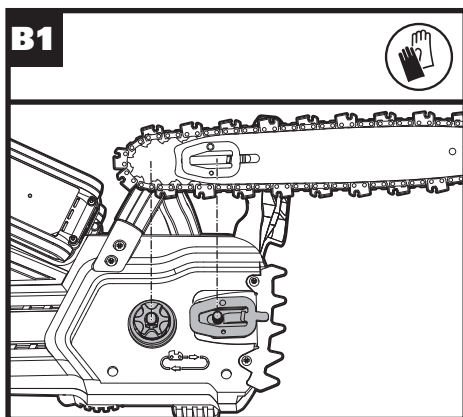
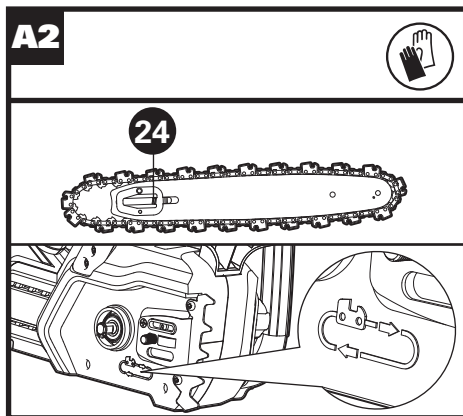
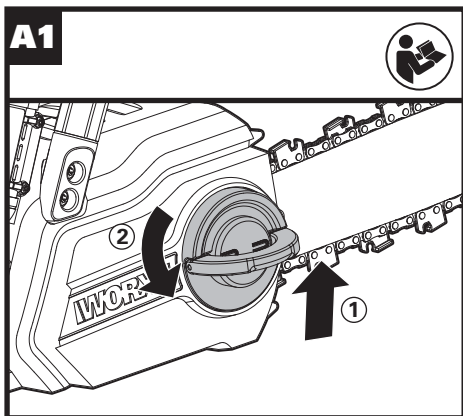
EN P09

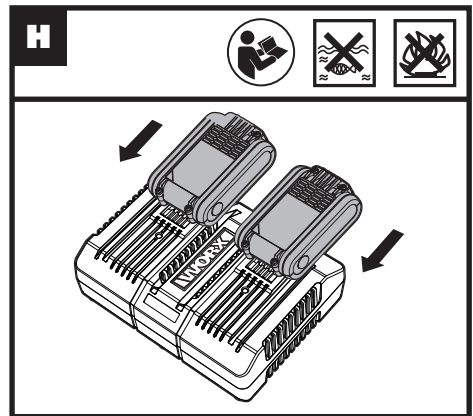
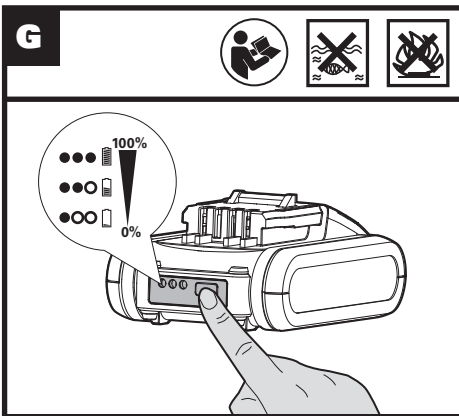
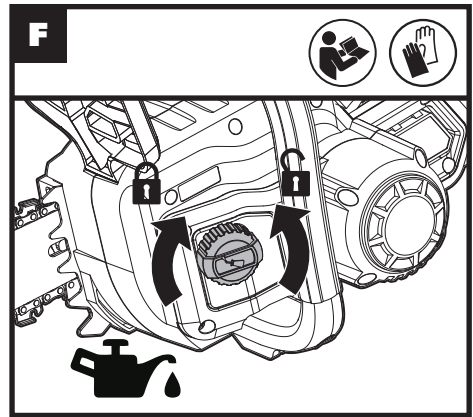
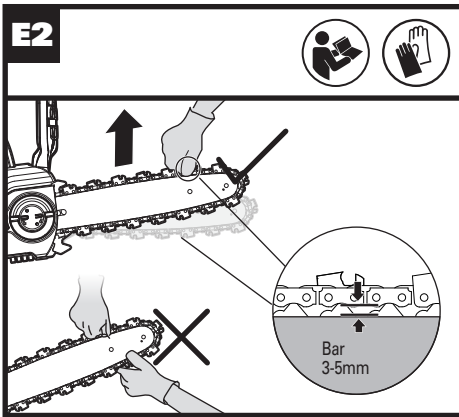
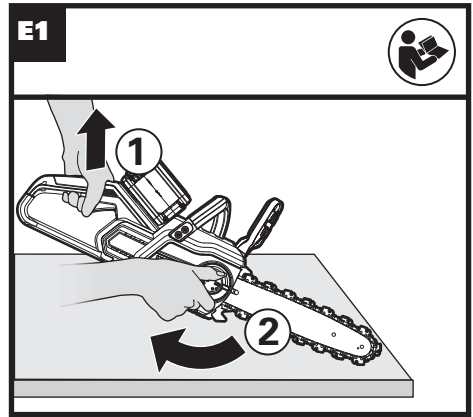
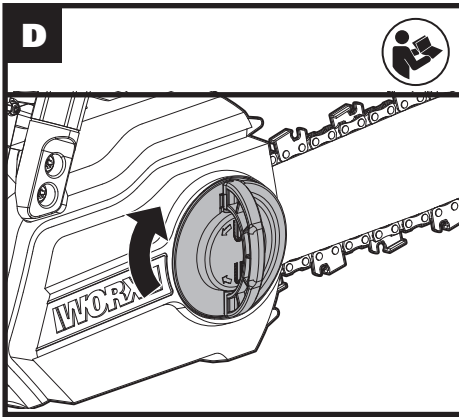
Аккумуляторная цепная пила

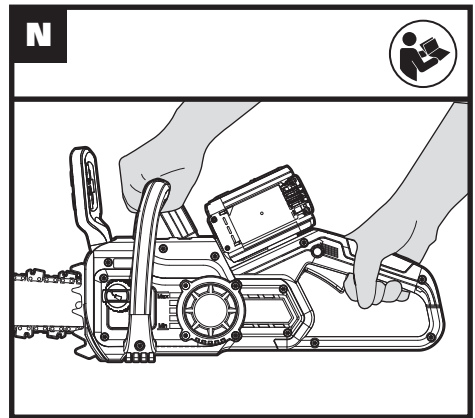
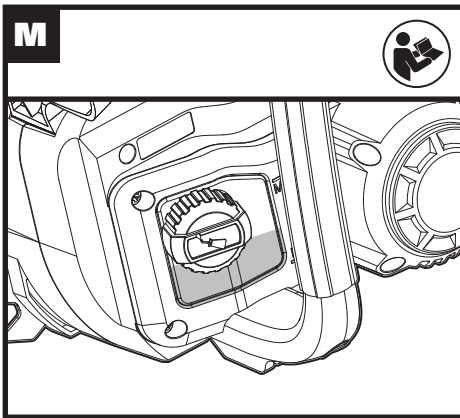
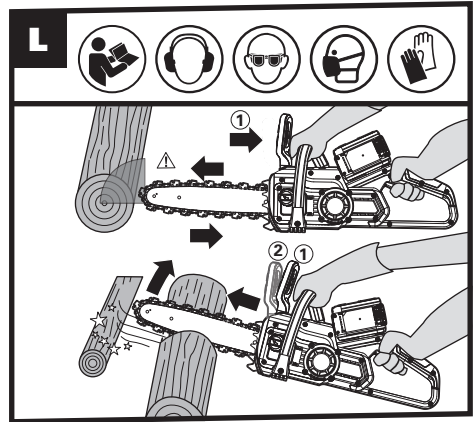
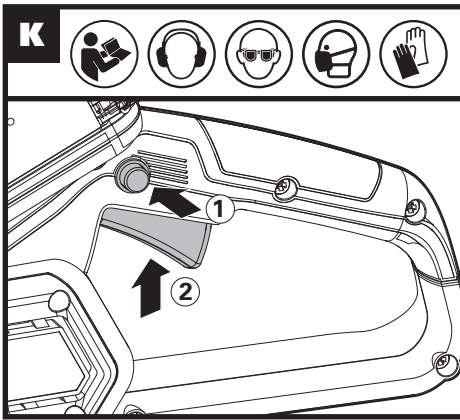
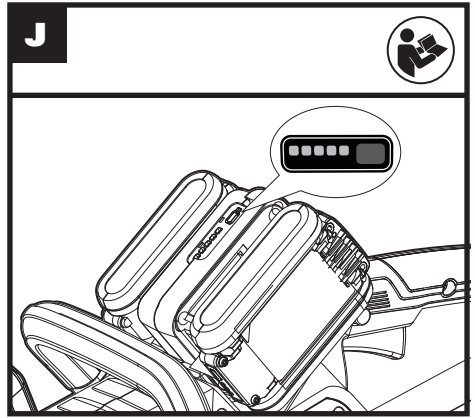
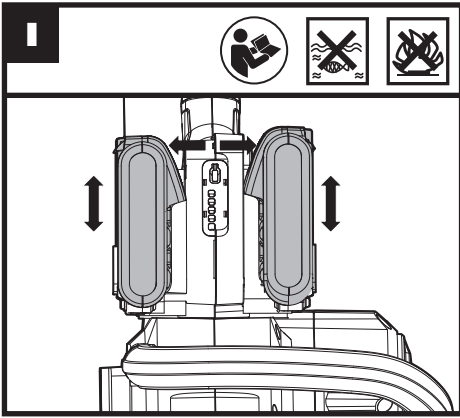
RU P23

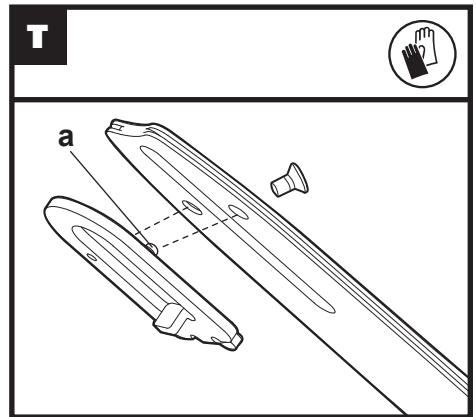
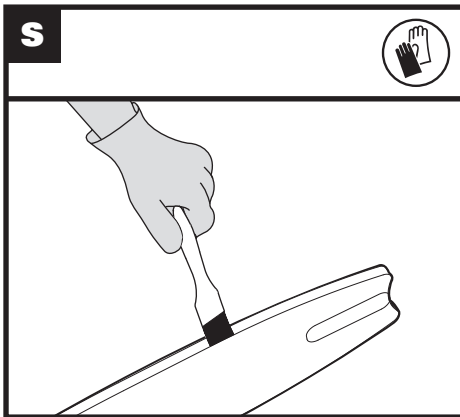
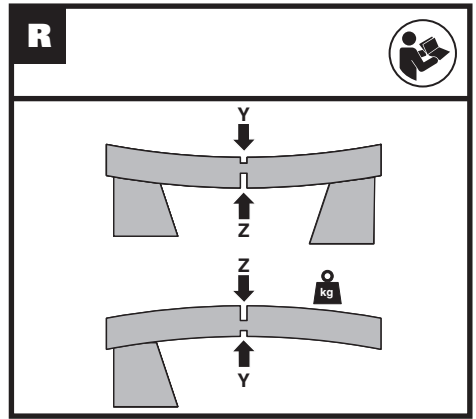
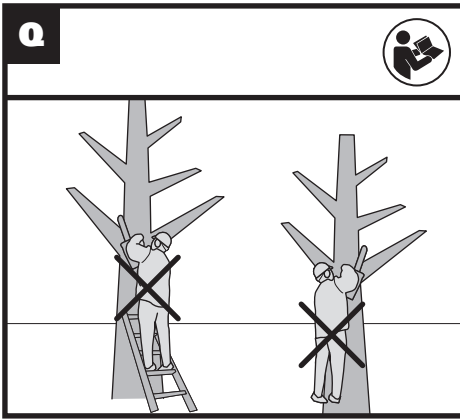
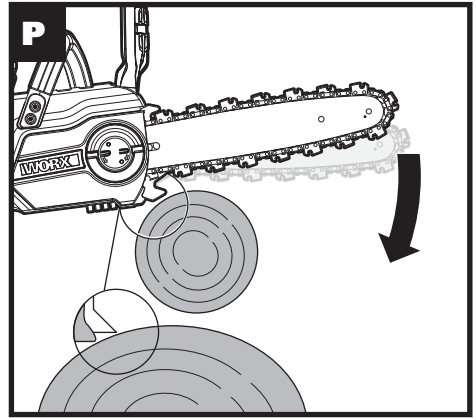
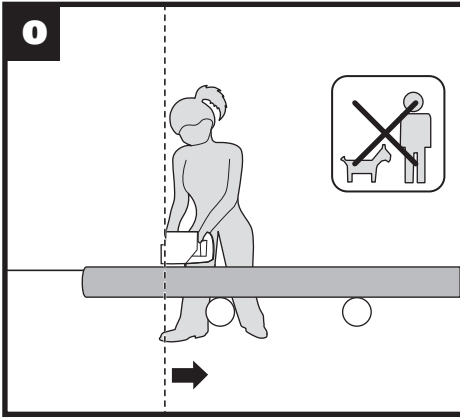
WG381E WG381E.9







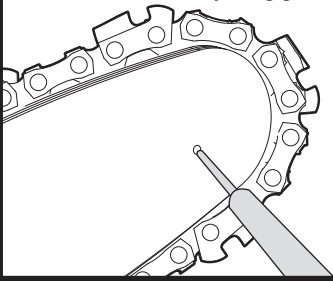




U



Injecting grease to lubricate



PRODUCT SAFETY

GENERAL POWER TOOL

SAFETY WARNINGS



WARNING Read all safety warnings, instructions, illustrations and specifications provided with this power tool.

Failure to follow all instructions listed below may result in electric shock, fire and/or serious injury.

Save all warnings and instructions for future reference.

The term "power tool" in the warnings refers to your mains-operated (corded) power tool or battery-operated (cordless) power tool.

1) Work area safety

- a) **Keep work area clean and well lit.** Cluttered or dark areas invite accidents.
- b) **Do not operate power tools in explosive atmospheres, such as in the presence of flammable liquids, gases or dust.** Power tools create sparks which may ignite the dust or fumes.
- c) **Keep children and bystanders away while operating a power tool.** Distractions can cause you to lose control.

2) Electrical safety

- a) **Power tool plugs must match the outlet.** Never modify the plug in any way. Do not use any adapter plugs with earthed (grounded) power tools. Unmodified plugs and matching outlets will reduce risk of electric shock.
- b) **Avoid body contact with earthed or grounded surfaces, such as pipes, radiators, ranges and refrigerators.** There is an increased risk of electric shock if your body is earthed or grounded.
- c) **Do not expose power tools to rain or wet conditions.** Water entering a power tool will increase the risk of electric shock.
- d) **Do not abuse the cord.** Never use the cord for carrying, pulling or unplugging the power tool. Keep cord away from heat, oil, sharp edges or moving parts. Damaged or entangled cords increase the risk of electric shock.
- e) **When operating a power tool outdoors, use an extension cord suitable for outdoor use.** Use of a cord suitable for outdoor use reduces the risk of electric shock.
- f) **If operating a power tool in a damp location is unavoidable, use a residual current device (RCD) protected supply.** Use of an RCD reduces the risk of electric shock.

3) Personal safety

- a) **Stay alert, watch what you are doing and use common sense when operating a power tool. Do not use a power tool while you are tired or under the influence of**

drugs, alcohol or medication. A moment of inattention while operating power tools may result in serious personal injury.

- b) **Use personal protective equipment. Always wear eye protection.** Protective equipment such as dust mask, non-skid safety shoes, hard hat, or hearing protection used for appropriate conditions will reduce personal injuries.
- c) **Prevent unintentional starting. Ensure the switch is in the off-position before connecting to power source and/or battery pack, picking up or carrying the tool.** Carrying power tools with your finger on the switch or energising power tools that have the switch on invites accidents.
- d) **Remove any adjusting key or wrench before turning the power tool on.** A wrench or a key left attached to a rotating part of the power tool may result in personal injury.
- e) **Do not overreach. Keep proper footing and balance at all times.** This enables better control of the power tool in unexpected situations.
- f) **Dress properly. Do not wear loose clothing or jewellery. Keep your hair and clothing away from moving parts.** Loose clothes, jewellery or long hair can be caught in moving parts.
- g) **If devices are provided for the connection of dust extraction and collection facilities, ensure these are connected and properly used.** Use of dust collection can reduce dust-related hazards.
- h) **Do not let familiarity gained from frequent use of tools allow you to become complacent and ignore tool safety principles.** A careless action can cause severe injury within a fraction of a second.
- 4) **Power tool use and care**
 - a) **Do not force the power tool. Use the correct power tool for your application.** The correct power tool will do the job better and safer at the rate for which it was designed.
 - b) **Do not use the power tool if the switch does not turn it on and off.** Any power tool that cannot be controlled with the switch is dangerous and must be repaired.
 - c) **Disconnect the plug from the power source and/or remove the battery pack, if detachable, from the power tool before making any adjustments, changing accessories, or storing power tools.** Such preventive safety measures reduce the risk of starting the power tool accidentally.
 - d) **Store idle power tools out of the reach of children and do not allow persons unfamiliar with the power tool or these instructions to operate the power tool.** Power tools are dangerous in the hands of untrained users.
 - e) **Maintain power tools and accessories.**

Check for misalignment or binding of moving parts, breakage of parts and any other condition that may affect the power tool's operation. If damaged, have the power tool repaired before use. Many accidents are caused by poorly maintained power tools.

- f) Keep cutting tools sharp and clean.** Properly maintained cutting tools with sharp cutting edges are less likely to bind and are easier to control.
- g) Use the power tool, accessories and tool bits etc. in accordance with these instructions, taking into account the working conditions and the work to be performed.** Use of the power tool for operations different from those intended could result in a hazardous situation.
- h) Keep handles and grasping surfaces dry, clean and free from oil and grease.** Slippery handles and grasping surfaces do not allow for safe handling and control of the tool in unexpected situations.
- 5) Battery tool use and care**
- a) Recharge only with the charger specified by the manufacturer.** A charger that is suitable for one type of battery pack may create a risk of fire when used with another battery pack.
- b) Use power tools only with specifically designated battery packs.** Use of any other battery packs may create a risk of injury and fire.
- c) When battery pack is not in use, keep it away from other metal objects, like paper clips, coins, keys, nails, screws or other small metal objects, that can make a connection from one terminal to another.** Shorting the battery terminals together may cause burns or a fire.
- d) Under abusive conditions, liquid may be ejected from the battery; avoid contact. If contact accidentally occurs, flush with water. If liquid contacts eyes, additionally seek medical help.** Liquid ejected from the battery may cause irritation or burns.
- e) Do not use a battery pack or tool that is damaged or modified.** Damaged or modified batteries may exhibit unpredictable behaviour resulting in fire, explosion or risk of injury.
- f) Do not expose a battery pack or tool to fire or excessive temperature.** Exposure to fire or temperature above 130 °C may cause explosion.
- g) Follow all charging instructions and do not charge the battery pack or tool outside the temperature range specified in the instructions.** Charging improperly or at temperatures outside the specified range may damage the battery and increase the risk of fire.
- 6) Service**
- a) Have your power tool serviced by a qualified repair person using only identical replacement parts.** This will ensure that the

safety of the power tool is maintained.

- b) Never service damaged battery packs.** Service of battery packs should only be performed by the manufacturer or authorized service providers.
- 1) General chain saw safety warnings:**
- a) Keep all parts of the body away from the saw chain when the chain saw is operating. Before you start the chain saw, make sure the saw chain is not contacting anything.** A moment of inattention while operating chain saws may cause entanglement of your clothing or body with the saw chain.
- b) Always hold the chain saw with your right hand on the rear handle and your left hand on the front handle.** Holding the chain saw with a reversed hand configuration increases the risk of personal injury and should never be done.
- c) Hold the power tool by insulated gripping surfaces only, because the saw chain may contact hidden wiring.** Saw chains contacting a "live" wire may make exposed metal parts of the power tool "live" and could give the operator an electric shock.
- d) Wear safety glasses protection. Further protective equipment for hearing, head, hands, legs and feet is recommended.** Adequate protective clothing will reduce personal injury by flying debris or accidental contact with the saw chain.
- e) Do not operate a chain saw in a tree, on a ladder, from a rooftop, or any unstable support.** Operation of a chain saw in this manner could result in serious personal injury.
- f) Always keep proper footing and operate the chain saw only when standing on fixed, secure and level surface.** Slippery or unstable surfaces may cause a loss of balance or control of the chain saw.
- g) When cutting a limb that is under tension, be alert for spring back.** When the tension in the wood fibres is released, the spring loaded limb may strike the operator and/or throw the chain saw out of control.
- h) Use extreme caution when cutting brush and saplings.** The slender material may catch the saw chain and be whipped toward you or pull you off balance.
- i) Carry the chain saw by the front handle with the chain saw switched off and away from your body. When transporting or storing the chain saw, always fit the guide bar cover.** Proper handling of the chain saw will reduce the likelihood of accidental contact with the moving saw chain.
- j) Follow instructions for lubricating, chain tensioning and changing the bar and chain.** Improperly tensioned or lubricated chain may either break or increase the chance for kickback.
- k) Cut wood only. Do not use chain saw for purposes not intended. For example: do not use chain saw for cutting metal,**

plastic, masonry or non-wood building materials. Use of the chain saw for operations different than intended could result in a hazardous situation.

- l) Do not attempt to fell a tree until you have an understanding of the risks and how to avoid them.** Serious injury could occur to the operator or bystanders while felling a tree.
- m) Follow all instructions when clearing jammed material, storing or servicing the chain saw. Make sure the switch is off and the battery pack is removed.** Unexpected actuation of the chain saw while clearing jammed material or servicing may result in serious personal injury.
- n) Recommendation that the first-time user should, as a minimum, practise cutting logs on a saw-horse or cradle.**
- o) Recommendation to have sharpening and maintenance of the saw chain performed by authorised service centres.**

2) Causes and operator prevention of kickback:

Kickback may occur when the nose or tip of the guide bar touches an object, or when the wood closes in and pinches the saw chain in the cut.

Tip contact in some cases may cause a sudden reverse reaction, kicking the guide bar up and back towards the operator.

Pinching the saw chain along the top of the guide bar may push the guide bar rapidly back towards the operator.

Either of these reactions may cause you to lose control of the saw which could result in serious personal injury.

Do not rely exclusively upon the safety devices built into your saw. As a chain saw user, you should

take several steps to keep your cutting jobs free from accident or injury.

Kickback is the result of chain saw misuse and/or incorrect operating procedures or conditions and can be

avoided by taking proper precautions as given below:

- a) Maintain a firm grip, with thumbs and fingers encircling the chain saw handles, with both hands on the saw and position your body and arm to allow you to resist kickback forces.** Kickback forces can be controlled by the operator, if proper precautions are taken. Do not let go of the chain saw.
- b) Do not overreach and do not cut above shoulder height.** This helps prevent unintended tip contact and enables better control of the chain saw in unexpected situations.
- c) Only use replacement bars and chains specified by the manufacturer.** Incorrect replacement guide bars and saw chains may cause chain breakage and/or kickback.
- d) Follow the manufacturer's sharpening**

and maintenance instructions for the saw chain. Decreasing the depth gauge height can lead to increased kickback.

SAFETY WARNINGS FOR BATTERY PACK

- a) Do not dismantle, open or shred cells or battery pack.**
- b) Do not short-circuit a battery pack. Do not store battery packs haphazardly in a box or drawer where they may short-circuit each other or be short-circuited by conductive materials.** When battery pack is not in use, keep it away from other metal objects, like paper clips, coins, keys, nails, screws or other small metal objects, that can make a connection from one terminal to another. Shorting the battery terminals together may cause burns or a fire.
- c) Do not expose battery pack to heat or fire. Avoid storage in direct sunlight.**
- d) Do not subject battery pack to mechanical shock.**
- e) In the event of battery leaking, do not allow the liquid to come into contact with the skin or eyes. If contact has been made, wash the affected area with copious amounts of water and seek medical advice.**
- f) Seek medical advice immediately if a cell or battery pack has been swallowed.**
- g) Keep battery pack clean and dry.**
- h) Wipe the battery pack terminals with a clean dry cloth if they become dirty.**
- i) Battery pack needs to be charged before use. Always refer to this instruction and use the correct charging procedure.**
- j) Do not maintain battery pack on charge when not in use.**
- k) After extended periods of storage, it may be necessary to charge and discharge the battery pack several times to obtain maximum performance.**
- l) Battery pack gives its best performance when it is operated at normal room temperature (20 °C ± 5 °C).**
- m) When disposing of battery packs, keep battery packs of different electrochemical systems separate from each other.**
- n) Recharge only with the charger specified by WORX. Do not use any charger other than that specifically provided for use with the equipment.** A charger that is suitable for one type of battery pack may create a risk of fire when used with another battery pack.
- o) Do not use any battery pack which is not designed for use with the equipment.**
- p) Keep battery pack out of the reach of children.**
- q) Retain the original product literature for future reference.**
- r) Remove the battery from the equipment**

when not in use.

- s) **Dispose of properly.**
- t) **Do not mix cells of different manufacture, capacity, size or type within a device.**
- u) **Do not remove battery pack from its original packaging until required for use.**
- v) **Observe the plus (+) and minus (-) marks on the battery and ensure correct use.**

SAVE THESE INSTRUCTIONS

Instructions concerning the proper techniques for basic felling, limbing, and cross-cutting

1. Felling a tree

When bucking and felling operations are being performed by two or more persons at the same time, the felling operations should be separated from the bucking operation by a distance of at least twice the height of the tree being felled. Trees should not be felled in a manner that would endanger any person, strike any utility line or cause any property damage. If the tree does make contact with any utility line, the company should be notified immediately.

The chain saw operator should keep on the uphill side of the terrain as the tree is likely to roll or slide downhill after it is felled.

An escape path should be planned and cleared as necessary before cuts are started. The escape path should extend back and diagonally to the rear of the expected line of fall as illustrated in Figure 1.

Before felling is started, consider the natural lean of the tree, the location of larger branches and the wind direction to judge which way the tree will fall.

Remove dirt, stones, loose bark, nails, staples and wire from the tree.

2. Notching undercut

Make the notch 1/3 the diameter of the tree, perpendicular to the direction of falls as illustrated in Figure 1. Make the lower horizontal notching cut (W) first. This will help to avoid pinching either the saw chain or the guide bar when the second notch (X) is being made.

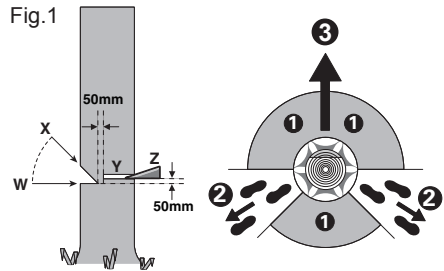
3. Felling back cut

Make the felling back cut (Y) at least 50 mm higher than the horizontal notching cut as illustrated in Figure 1. Keep the felling back cut parallel to the horizontal notching cut. Make the felling back cut so enough wood is left to act as a hinge. The hinge wood keeps the tree from twisting and falling in the wrong direction. Do not cut through the hinge.

As the felling gets close to the hinge, the tree should begin to fall. If there is any chance that the tree may not fall in desired direction or it may rock back and bind the saw chain, stop cutting before the felling

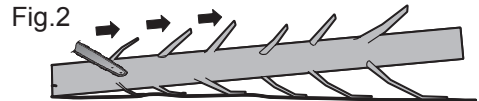
back cut is complete and use wedges of wood, plastic or aluminium (Z) to open the cut and drop the tree along the desired line of fall (③).

When the tree begins to fall remove the chain saw from the cut, stop the motor, put the chain saw down, then use the retreat path planned (②). Be alert for overhead limbs falling and watch your footing. (See Figure 1)



4. Limbing a tree

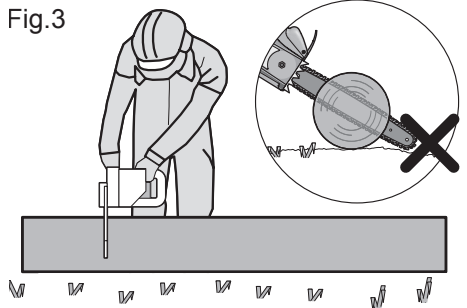
Limbing is removing the branches from a fallen tree. When limbing leave larger lower limbs to support the log off the ground. Remove the small limbs in one cut as illustrated in Figure 2. Branches under tension should be cut from the bottom up to avoid binding the chain saw.



5. Bucking a log

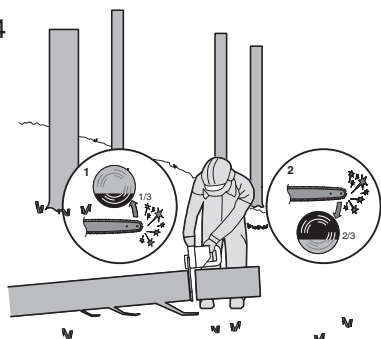
Bucking is cutting a log into lengths. It is important to make sure your footing is firm and your weight is evenly distributed on both feet. When possible, the log should be raised and supported by the use of limbs, logs or chocks. Follow the simple directions for easy cutting.

When the log is supported along its entire length as illustrated in Figure 3, it is cut from the top (overbuck), avoid contacting ground as this will greatly reduce the chain sharpness.



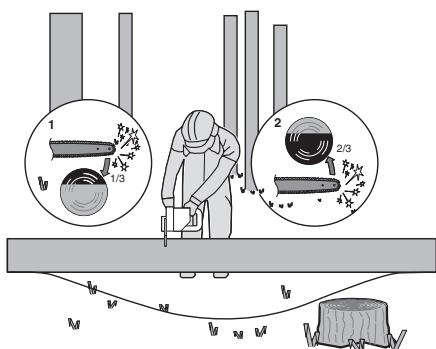
When the log is supported on one end, as illustrated in Figure 4, cut $\frac{1}{3}$ the diameter from the underside (underbuck) (1). Then make the finished cut by overbucking (2) to meet the first cut.

Fig.4



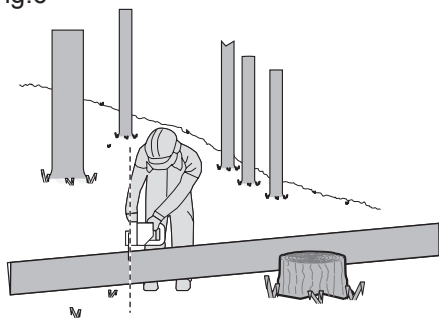
When the log is supported on both ends, as illustrated in Figure 5, cut $\frac{1}{3}$ the diameter from the top (overbuck) (1). Then make the finished cut by underbucking (2) the lower $\frac{2}{3}$ to meet the first cut.

Fig.5








When bucking on a slope always stand on the uphill side of the log, as illustrated in Figure 6. When “cutting through”, to maintain complete control release the cutting pressure near the end of the cut without relaxing your grip on the chain saw handles. Don’t let the chain contact the ground. After completing the cut, wait for the saw chain to stop before you move the chain saw. Always stop the motor before moving from tree to tree.

Fig.6



SYMBOL

	To reduce the risk of injury, user must read instruction manual
	WARNING
	Wear ear protection
	Wear eye protection
	Wear dust mask
	Always use chain saw two-handed
	Beware of chain saw kickback and avoid contact with bar tip
	Wear head protection
	Wear protective gloves
	Wear protective footwear
	Do not expose to rain

	Li-Ion battery This product has been marked with a symbol relating to 'separate collection' for all battery packs and battery pack. It will then be recycled or dismantled in order to reduce the impact on the environment. Battery packs can be hazardous for the environment and for human health since they contain hazardous substances.
	Do not burn
	Batteries may enter water cycle if disposed improperly, which can be hazardous for ecosystem. Do not dispose of waste batteries as unsorted municipal waste.
	Unlock
	Lock

COMPONENT LIST

-
1. REAR HANDLE

 2. ON/OFF SWITCH

 3. POWER INDICATOR LIGHT

 4. FRONT HANDLE

 5. CHAIN BRAKE LEVER (HAND GUARD)

 6. CHAIN

 7. GUIDE BAR

 8. CHAIN TENSIONING KNOB

 9. CHAIN COVER

 10. REAR HAND GUARD

 11. BATTERY PACK*

 12. BATTERY PACK RELEASE BUTTON*

 13. LOCK-OUT BUTTON

 14. OIL LEVEL WINDOW

 15. OIL FILLER CAP

 16. FASTENING BAR BOLT

 17. BAR AND CHAIN STORAGE/ TRANSPORTATION COVER (SHEATH)

 18. BAR LOCATING TABS

 19. OIL OUTLET

 20. BUMPER SPIKE

 21. BAR PAD

 22. CHAIN DIRECTION SYMBOL




 23. DRIVE SPROCKET

 24. BAR TENSIONING PLATE (SEE FIG. A2)
-

* Not all the accessories illustrated or described are included in standard delivery.

TECHNICAL DATA

Type **WG381E WG381E.9 (3 - designation of machinery, representative of chainsaw)**

	WG381E	WG381E.9
Voltage	40V  MAX (2x20V Max.)**	
Bar length	30cm	
Chain speed	6.3m/s	
Oil tank capacity	150ml	
Chain pitch	3/8" (0.95cm)	
Number of chain drive links	45	
Chain gauge	1.1mm	
Adaptive Chain type	QR: A0 (T)-52E / OREGON: 90PX045X	
Adaptive Bar type	QR: P014-43SR(T) / OREGON: 124MLEA041	
Battery capacity	2.0 Ah (WA3551)	/
Battery type	Lithium-Ion	/
Charger model	WA3883	/
Charger rating	Input: 100-240V~50-60Hz Output 1: 20V  , 2.0A *** Output 2: 20V  , 2.0A ***	/
Charging time (approx.)		
Battery pack:		
2.0 Ah (1pc)	0.5 hr	/
2.0 Ah (2pcs)	1 hr	/
Machine Weight	4.5kg	3.8kg

**Voltage measured without workload. Initial battery voltage reaches maximum of 20 volts. Nominal voltage is 18 volts.

*** Charger output 1 and output 2 mean two ports with the same output voltage and current.

ACCESSORIES

	WG381E	WG381E.9
Chain	1	1
Bar	1	1
Transportation Cover	1	1
Charger(WA3883)	1	/
Battery(WA3551)	2	/

We recommend that you purchase your accessories from the same store that sold you the tool. Refer to the accessory packaging for further details. Store personnel can assist you and offer advice.

INTENDED USE

The chainsaw is intended for sawing of trees, tree trunks, branches, wooden beams, planks, etc. Cuts can be sawed with or across the grain. This product is not suitable for sawing mineral materials.

ASSEMBLY



WARNING! Do not install the battery pack before it has been completely assembled. Always use gloves when handling the chain.

CHAIN AND GUIDE BAR ASSEMBLY

1. Unpack all parts carefully. Remove the chain cover by turning the chain tensioning knob in a counter-clockwise direction. (See Fig. A1)
2. Place the chainsaw on a solid, level surface.
3. Use only genuine WORX chains or those recommended for Guide Bar.
4. Slide the chain in the slot around the guide bar. Ensure the chain is in correct running direction by comparing it to the chain icon on the guide bar, or referring to the chain direction symbol found on the saw body. Ensure the bar tensioning plate is facing outward. (See Fig. A2)
5. Fit the chain onto the drive sprocket, so that the fastening bar bolt and the bar locating tab on the bar pad fit into the keyway of the opening on the guide bar. (See Fig. B1, B2)
6. Assure all parts are seated properly and hold chain and guide bar in a level position. Make sure the drive links are fully seated in the drive sprocket (See Fig. C1), avoiding a kink as shown in Fig. C2. If kink occurs, pick up on the chain at the guide bar just ahead of the kink and then pull the kink out.

NOTE: Chain should rotate freely and be free of kinks.

7. Fit the chain cover and tighten the chain cover by turning the chain tensioning knob clockwise until it is tight. (See Fig. D)
8. The chain will stretch while cutting and lose proper tension. When the chain becomes loose, completely unscrew the chain tensioning knob or turn the knob around three (3) full turns in a counter-clockwise direction, then retighten the chain tensioning knob to properly reset the chain tension by repeating Steps 6-7 listed above.



WARNING: The chain is not yet tensioned. Tensioning the chain applies as described under "TENSIONING CHAIN". The chain now needs to be inspected to make sure it is properly tensioned.

TENSIONING CHAIN (See Fig. E1, E2)

NOTE: New saw chains will stretch. Check the chain tension frequently when first used and tighten when the chain becomes loose around the guide bar.



WARNING:

- **Removing the battery pack before adjusting saw chain tension.**
- **Cutting edges on chain are sharp. Use protective gloves when handling chain.**
- **Maintain proper chain tension always. A loose chain will increase the risk of kickback. A loose chain may jump out of guide bar groove. This may injure operator and damage chain. A loose chain will cause chain, bar, and sprocket to wear rapidly.**

1. Place the chainsaw on any suitable flat surface.
2. Turn the chain tensioning knob clockwise until it is hand tight.

NOTE: The tension is automatically increased while the chain tensioning knob is being turned in a clockwise direction. The built-in ratchet mechanism prevents the chain tension from loosening.

3. Tilt the saw forward (See E1) where the guide bar tip is pushed in an downward direction. This will remove slack from the chain.
4. Fully tighten the chain tensioning knob by turning it clockwise.
5. Double check the tension set by the automatic chain tensioning knob. The correct chain tension is reached when the chain can be raised approx. Half the driveline depth (3-5mm) from the guide bar in the center. This should be done by using one hand to raise the chain against the weight of the machine. (See Fig. E2)

NOTE: The chain is properly tensioned when it can be lifted off of the Guide Bar and the driveline is within the rail of the guide bar.

NOTE: The chain will stretch while cutting and lose proper tension. When the chain becomes loose, completely unscrew the chain tensioning knob or turn the knob around three full turns in a counter-clockwise direction, then retighten the chain tensioning knob to properly reset the chain tension by repeating Steps 1-4 listed above.

LUBRICATION (See Fig. F)



Important: The chainsaw is not filled with oil. It is essential to fill with oil before use. Never operate the chainsaw without chain oil or at an empty oil tank level, as this will result in extensive damage to the product. NOTE: Chain life and cutting capacity depend on optimum lubrication. Therefore, the chain is automatically oiled during operation.



Filling oil tank:

WARNING: Removing the battery pack before filling the oil tank.

1. Set chainsaw on any suitable surface with oil filler cap facing upward.
2. Clean area around the oil filler cap with cloth and unscrew the cap by turning it counter clockwise.

3. Add bar and chain oil until tank is full.
4. Avoid dirt or debris entering oil tank, refit oil filler cap and tighten by turning clockwise until hand tight.



Important: To allow venting of the oil tank, small breather channels are provided between the oil filler cap and the strainer, to prevent leakage, and ensure machine is left in a horizontal position when not in use.

It is important to use only the recommended standard bar and chain oil (Grade: ISO VG32) to avoid damage to the chainsaw. This can be found at the location where you purchased this saw or your local hardware store. Never use recycled/old oil. Use of non approved oil will void the warranty.

Do not swallow. If swallowed, call a physician immediately. Keep out of reach of children. Store away from heat or open flame.

Checking the Automatic Oiler

Proper functioning of the automatic oiler can be checked by running the chainsaw and pointing the tip of the guide chain bar towards a piece of cardboard or paper on the ground. If an increasing oil pattern develops on the cardboard, the automatic oiler is operating fine. If there is no oil pattern, despite a full oil reservoir, contact WORX customer service agent or WORX approved service agent.



CAUTION: Do not touch the ground with the chain. Ensure safety clearance of 30 cm.

OPERATION

1. BEFORE USING YOUR CORDLESS TOOL



WARNING! The charger and battery pack are specially designed to work together so do not attempt to use any other devices. Never insert or allow metallic objects into your charger or battery pack connections because of an electrical failure and hazard will occur.

NOTE: Your battery pack is UNCHARGED and you must charge once before use.

The battery charger supplied is matched to the Li-ion battery installed in the machine. Do not use another battery charger.

2. CHECKING THE BATTERY CHARGE CONDITION (See Fig. G)

The battery level can be known from the battery indicator light by pressing the button beside the lights.

Note: Fig. G only applies for the battery pack with battery indicator light.

3. CHARGING YOUR BATTERY PACK (See Fig. H)

The Li-ion battery is protected against deep discharging. When the battery is empty, the machine is switched off by means of a protective circuit. Each

battery must be fully charged before the first use. In a warm environment or after heavy use, the battery pack may become too hot to permit charging. Allow time for the battery to cool down before recharging.

Note: Always fully charge the two batteries at same time. More details can be found in charger's manual.

4. TO REMOVE OR INSTALL BATTERY PACK (See Fig. I)

Depress the battery pack release button to remove the 2 battery packs from your tool. After recharging, insert the 2 battery packs into the battery ports. A simple push and slight pressure will be sufficient until a click is heard. Check to see if the battery is fully secured.

Note:

- When removing the battery pack, hold it firmly to avoid dropping and injury.
- This machine will only run when 2 batteries are installed. It is recommended to use the same two batteries and charge the two batteries at the same time.
- When you use two batteries with different power, the machine will only run to the lower common denominator.


5. POWER INDICATOR LIGHT (See Fig. J) IMPORTANT:


When only one light is illuminated, your battery is overly discharged, even though the machine may still be capable to work. Continuing to operate your machine with the battery in this discharged condition may reduce the life and performance of your battery.

When no light are illuminated, at least one battery is not fully installed or battery may be defective, please double check the batteries are fully seated into position.

BATTERY STATUS

- Before starting or after use, press the button beside the power indicator light on the machine to check the battery capacity.
- During operation, the battery capacity will be indicated automatically by the battery power indicator. The indicator constantly senses and displays the battery condition as follows.
- For the machine with 2 battery packs with different power, the power indicator light displays the battery condition with the lower one of the two batteries.

Battery indicator light status	Battery condition
Five green lights () are illuminated.	The two batteries are in a highly charged condition.

Two, three or four green lights are illuminated.	The two batteries have a remaining charge. The more lights are illuminated, the more battery capacity.
Only one green light () is illuminated.	The battery level of at least one battery pack is very low. Please check and charge the battery pack.
No light is illuminated.	At least one battery is not fully installed or battery may be defective.
Only one light is flashing twice per cycle.	At least one battery is over discharged (please refer to the battery charge condition), please recharge the two batteries at once before use again or storage.
Only one light is flashing three times per cycle.	At least one battery is hot, wait for them cool down before start again.
Only one light is flashing four times per cycle.	The machine is over load. Remove tool from cutting area and try again.

6. SWITCHING ON AND OFF (SEE FIG. K)



Attention: Check the battery packs before using your cordless tool. Only use the battery pack listed in the accessories section.

For **switching on the tool**, press the lock-out button, then fully press the on/off switch and hold in this position. The lock-out button can now be released. For **switching off**, release the on/off switch.

NOTE: The chain brake must be activated in order for the saw to be switched on.

7. CHAIN BRAKE LEVER (See fig. L)

The chain brake lever is a safety mechanism activated through the front hand guard, when kickback occurs. Chain stops immediately.

The following function check should be carried out at regular intervals. Pull the front hand guard towards the operator (position ①) to deactivate chain brake. To activate the chain brake, push front hand guard forwards (position ②).

Note: If the saw is unable to start, even though it is assembled properly and working with fully charged battery packs, then you should check if the chain brake lever is in the correct position (position ①).

8. CUTTING



Important: Is the oil tank filled? Check the Oil Level Window prior to starting and regularly during operation (See Fig. M). Refill oil when oil level is low. A full oil tank will last

approx. 12 minutes of cutting depending on sawing intensity and stops.

Check recent replaced chain tension about every 10 minutes during operation.

- (1) Installing the battery pack into the machine.
- (2) Make sure section of log to be cut is not laying on the ground. This will keep the chain from touching the ground as it cuts through the log.
Touching the ground while the chain is moving is dangerous and will dull the chain.
- (3) Use both hands to grip saw. Always use left hand to grip front handle and right hand to grip rear handle. Use a firm grip. Thumbs and fingers must wrap around saw handles. (See Fig. N)
- (4) Make sure your footing is firm. Keep feet-shoulder width apart. Distribute your weight evenly on both feet.
- (5) When ready to make a cut, push the lock-out button completely in with the right thumb and squeeze the trigger. This will turn saw on. Releasing the trigger will turn the saw off. Make sure the saw is running at full speed before starting a cut.
- (6) When starting a cut, slowly place moving chain against the wood. The wood should be as close to the saw body as possible. Hold saw firmly in place to avoid possible bouncing or skating (sideways movement) of saw.
- (7) Guide the saw using light pressure and do not put excessive force on the saw, letting the saw do its work. The motor will overload and can burn out. It will do the job better and safer at the rate for which it was intended.
- (8) Remove the saw from a cut with the saw running at full speed. Stop the saw by releasing the on/off switch. Make sure the chain has stopped before setting the saw down.
- (9) Keep practicing on scrap logs in a secure working area until you are comfortable, using a fluid motion and a steady cutting rate.

Kickback Safety Devices On This Saw

This saw has a low-kickback chain and reduced kickback Guide Bar. Both items reduce the chance of kickback. However, kickback can still occur with this saw.

The following steps will reduce the risk of kickback.

- Use both hands to grip saw while saw is running. Use firm grip. Thumbs and fingers must wrap around saw handles.
- Keep all safety items in place on saw. Make sure they work properly.
- Do not overreach or cut above shoulder height.
- Keep solid footing and balance at all times.
- Stand slightly to the left side of saw. This keeps your body from being in direct line with chain.
- Do not let Guide Bar nose touch anything when chain is moving.
- Never try cutting through two logs at same time. Only cut one log at a time.
- Do not bury the Guide Bar nose or try plunge cut (boring into wood using guide bar nose).

- Watch for shifting of wood or other forces that may pinch chain.
- Use extreme caution when reentering a previous cut.
- Use only the low-kickback chain and guide bar that were supplied with this chainsaw or recommended.
- Never use a dull or loose chain. Keep chain sharp with proper tension.

How to use Saw Safely

1. Use the chainsaw only with secure footing.
2. Hold the chainsaw at the right-hand side of your body (See Fig. O).
3. The chain must be running at full speed before it makes contact with the wood.
4. Use the bumper spikes to secure the saw onto the wood before starting to cut.
5. Use the Bumper Spikes as a leverage point while cutting. (See Fig. P)
6. Do not operate the chainsaw with arms fully extended, attempt to saw areas which are difficult to reach, or stand on a ladder while sawing (See Fig. Q).

Never use the chainsaw above shoulder height

Cutting wood under tension (See Fig. R)

WARNING: When cutting a limb that is under tension, use extreme caution. Be alert for wood springing back. When wood tension is released, limb could spring back and strike operator causing severe injury or death.

When sawing logs supported on both ends, start the cut from above (Y) about 1/3 of the diameter into the log (overbuck) and then finish the cut (Z) from below, in order to avoid contact of the chainsaw with the ground. When sawing logs supported on only one end, start the cut from below (Y) about 1/3 of the diameter into the log (underbuck) and finish the cut from above (Z) in order to avoid log splitting or jamming of the chainsaw.

SAW MAINTENANCE

Follow maintenance instructions in this manual. Proper cleaning of saw and chain and guide bar maintenance can reduce chances of kickback. Inspect and maintain saw after each use. This will increase the service life of your saw.

Note: Even with proper sharpening, risk of kickback can increase with each sharpening.

MAINTENANCE AND STORAGE OF CHAINSAW

1. Remove the battery pack
 - When not in use
 - Before moving from one place to another
 - Before servicing

- Before changing accessories or attachments, such as saw chain and guard
2. Inspect chainsaw before and after each use. Check saw closely if guard or other part has been damaged. Check for any damage that may affect operator safety or operation of saw. Check for alignment or binding of moving parts. Check for broken or damaged parts. Do not use chainsaw if damage affects safety or operation. Have damage repaired by authorized service center. To locate an authorized service center, visit www.worx.com.
 3. Maintain chainsaw with care.
 - Never expose saw to rain or direct moisture.
 - Keep chain sharp, clean, and lubricated for better and safer performance.
 - Follow steps outlined in this manual to sharpen chain.
 - Keep handles dry, clean, and free of oil and grease.
 - Keep all screws and nuts tight.
 4. When servicing, use only identical replacement parts.
 - 5. When not in use, always store chainsaw
 - in a high or locked place, out of children's reach
 - in a dry place
 - with bar and chain cover in place

Bar Maintenance

To maximize bar life, the following bar maintenance is recommended.

The bar rails that carry the chain should be cleaned before storing the tool or if the bar or chain appear to be dirty.

The rails should be cleaned every time the chain is removed.

To clean the Bar rails.

1. Remove chain cover and bar and chain. (see section ASSEMBLY)
2. Using a wire brush, screwdriver or similar tool, clear the residue from the inner groove of the bar. (See Fig. S)
3. Make sure to clean oil passages thoroughly

Conditions which require chain and guide bar maintenance:

- Saw cuts to one side or at an angle.
- Saw has to be forced through the cut.
- Inadequate supply of oil to the bar and chain.

Check the condition of the guide bar each time the chain is sharpened. A worn guide bar will damage the chain and make cutting difficult.

After each use, remove the battery pack, clean all sawdust from the guide bar and sprocket hole.

When rail top is uneven, use a flat file to restore square edges and sides.



Replace the guide bar when the groove is worn, the guide bar is bent or cracked, or when excess heating or burring of the rails occurs. If replacement is necessary, use only the Guide Bar specified for your saw in the repair parts list or on the decal located on the chainsaw.

Replacing Bar & Chain

Replace chain when cutters are too worn to sharpen or when chain stops. Only use replacement chain noted in this manual.

Inspect guide bar before sharpening chain. A worn or damaged guide bar is unsafe. A worn or damaged guide bar will damage chain. It will also make cutting harder.

Fit the bar tensioning plate tab into the new bar by tightening the screw clockwise. The tab protrusion (a) must be fitted into the bar hole. (See Fig. T)

SHARPENING SAW CHAIN



WARNING:

Remove the battery pack before servicing. Severe injury or death could occur from electrical shock or body contact with moving chain.

Cutting edges on chain are sharp. Use protective gloves when handling chain.

Keep chain sharp. Your saw will cut faster and more safely. A dull chain will cause undue sprocket, Guide Bar, chain, and motor wear. If you must force chain into wood and cutting creates only sawdust with few large chips, chain is dull.

Lubricate Sprocket



WARNING:

Wear heavy duty gloves when performing any maintenance or service to this tool. Always remove the battery pack before performing any service or maintenance on this tool.

NOTE:

It is not necessary to remove the chain or bar when lubricating the guide bar sprocket.

1. Clean the bar and sprocket
2. Using a grease gun, insert the tip of the gun into the lubrication hole and inject grease until it appears at the outside edge of the sprocket tip. (See Fig. U)
3. To rotate the sprocket pull the chain by hand until the ungreased side of the sprocket is in line with the grease hole. Repeat the lubrication procedure.

TROUBLESHOOTING TABLE

The following table gives checks and actions that you can perform if your machine does not operate correctly. If these do not identify/remedy the problem, contact your service agent.

WARNING: Switch off and remove the battery pack before investigating fault.

Symptom	Possible Cause	Remedy
Chainsaw fails to operate.	Low battery charge. Chain brake not in the proper position.	Charge both the battery packs. Check to see if the chain brake is in position ①. Refer to CHAIN BRAKE for details.
Chainsaw operates intermittently.	Over heating Applying too much pressure while cutting. Loose connection. Internal wiring defective. On/Off switch defective.	Place the machine in a cool, ventilated place to cool it down. Applying relatively less pressure while cutting. Contact service agent. Contact service agent. Contact service agent.
Dry chain.	No oil in reservoir. Vent in oil filler cap clogged. Oil passage clogged.	Refill oil. Clean cap. Clean oil passage outlet.
Kickback Brake/Run Down Brake	Brake does not stop chain	Contact service agent
Chain/chain bar over-heats.	No oil in reservoir. Vent in oil filler cap clogged. Oil passage clogged. Chain is over tensioned. Dull chain.	Refill oil. Clean cap. Clean oil passage outlet. Adjust chain tension. Sharpen chain or replace.
Chainsaw rips, vibrates, does not saw properly.	Chain tension too loose. Dull chain. Chain worn out. Chain teeth are facing in the wrong direction.	Adjust chain tension. Sharpen chain or replace. Replace chain. Reassemble with chain in correct direction.

FOR BATTERY TOOLS

The ambient temperature range for the use and storage of tool and battery is 0°C-45°C.

The recommended ambient temperature range for the charging system during charging is 0°C-40°C.

ENVIRONMENTAL PROTECTION



Disposal

The machine, its accessories and packaging materials should be sorted for environmentally friendly recycling. The plastic components are labeled for categorized recycling.

БЕЗОПАСНОСТЬ ИЗДЕЛИЯ ОБЩИЕ ПРЕДОСТЕРЕЖЕНИЯ ПО ТЕХНИКЕ БЕЗОПАСНОСТИ ПРИ РАБОТЕ С ЭЛЕКТРОИНСТРУМЕНТОМ



ПРЕДОСТЕРЕЖЕНИЕ Внимательно ознакомьтесь со всеми предупреждениями по технике безопасности, инструкциями, рисунками и спецификациями, прилагаемыми к этому электроинструменту. *Невыполнение всех нижеприведенных инструкций и рекомендаций может привести к поражению электрическим током, пожару и/или серьезным травмам.*
СОХРАНИТЕ ВСЕ ИНСТРУКЦИИ И ПРЕДОСТЕРЕЖЕНИЯ ДЛЯ ДАЛЬНЕЙШЕГО ИСПОЛЬЗОВАНИЯ.

Термин "электроинструмент" в предупреждениях относится к вашему электроинструменту с питанием от сети (шнур) или к электроинструменту с батарейным питанием (беспроводной).

1) БЕЗОПАСНОСТЬ РАБОЧЕЙ ЗОНЫ

- a) Держите рабочую зону чистой и хорошо освещенной.** Загроможденные или затемненные зоны predisполагают к несчастным случаям.
- b) Не используйте электроинструменты во взрывоопасных средах, например, в присутствии легковоспламеняющихся жидкостей, газов или пыли.** Электроинструменты создают искры, которые могут воспалить пыль или пары.
- c) Держите детей и прохожих в стороне во время работы с электроинструментом.** Отвлекающие факторы могут привести к потере контроля над инструментом.

2) ЭЛЕКТРОБЕЗОПАСНОСТЬ

- a) Вилки с электроинструментом должны соответствовать розетке. Никогда не изменяйте штепсель каким-либо образом. Запрещается использовать любые переходники с заземленными электроинструментами.** Не модифицированные вилки и соответствующие розетки уменьшают риск поражения электрическим током.
- b) Избегайте контакта тела с заземленными поверхностями, такими как трубы, радиаторы, плиты и холодильники.** Существует повышенный риск поражения электрическим током, если ваше тело

заземлено.

- c) Не подвергайте электроинструмент воздействию дождя или влажности.** Вода, попадающая в электроинструмент, повысит риск поражения электрическим током.
- d) Запрещается применять шнур не по назначению. Никогда не используйте шнур для переноски, вытягивания или отсоединения электроинструмента. Держите шнур вдали от тепла, масла, острых краев или движущихся частей.** Поврежденные или запутанные шнуры повышают риск поражения электрическим током.
- e) При работе с электроинструментом на открытом воздухе используйте удлинитель, предназначенный для использования на открытом воздухе.** Использование шнура, подходящего для использования на открытом воздухе, снижает риск поражения электрическим током.
- f) Если работа электроинструмента во влажном месте неизбежна, используйте устройство защитного отключения.** Использование УЗО снижает риск поражения электрическим током.

3) ЛИЧНАЯ БЕЗОПАСНОСТЬ

- a) Будьте внимательны, следите за тем, что вы делаете, и пользуйтесь здравым смыслом при работе с электроинструментом. Не используйте электроинструмент во время усталости или под воздействием наркотиков, алкоголя или медикаментов.** Невнимательность при работе электроинструмента может привести к серьезной травме.
- b) Используйте средства индивидуальной защиты. Всегда надевайте защитные очки.** Защитное оборудование, такое как пылезащитная маска, нескользящая защитная обувь, каски или защита слуха, используемые для соответствующих условий, уменьшат риск возникновения травмы.
- c) Предотвращение непреднамеренного запуска. Перед подключением к источнику питания и / или батарейному блоку убедитесь, что переключатель находится в положении "выключено".** Перенос электроинструментов с пальцем на выключателе или зарядка включенных электроинструментов приводит к несчастным случаям.
- d) Перед включением электроинструмента уберите любые посторонние гаечные ключи.** Ключ, прикрепленный к вращающейся части электроинструмента, может стать причиной травмы.
- e) Не наклоняйтесь. Постоянно сохраняйте равновесие.** Это позволяет лучше контролировать электроинструмент в неожиданных ситуациях.

f) Одевайтесь должным образом. Не надевайте свободную одежду или украшения. Держите волосы, одежду и перчатки вдали от движущихся частей. Свободная одежда, ювелирные изделия или длинные волосы могут быть зацеплены движущимися частями.

g) Если устройства оборудованы соединением для удаления пыли и подключения коллекторов, убедитесь, что такое оборудование подключено и используется должным образом. Использование пылеулавливателей может уменьшить опасность, связанную с пылью.

h) Не позволяйте опыту, полученному при частом использовании инструментов, расслабиться и игнорировать принципы безопасной работы с инструментами. Неосторожное действие может привести к серьезной травме в течение доли секунды.

4) ИСПОЛЬЗОВАНИЕ ЭЛЕКТРОИНСТРУМЕНТА И УХОД ЗА НИМ

a) Запрещается избыточно загружать электроинструмент. Используйте подходящий электроинструмент для вашей работы. Правильно подобранный электроинструмент делает работу, для которой он был разработан, лучше и безопаснее.

b) Не используйте электроинструмент, если выключатель не работает. Любой электроинструмент, который не может управляться с помощью переключателя, опасен и должен быть отремонтирован.

c) Перед выполнением любых регулировок, заменой принадлежностей или хранением электроинструмента отсоедините штекер от источника питания и / или аккумуляторной батареи от электроинструмента. Такие предупредительные меры безопасности уменьшают риск случайного запуска электроинструмента.

d) Храните электроинструменты в недоступном для детей месте и не позволяйте лицам, незнакомым с электроинструментом или с этой инструкцией, работать с ним. Инструменты опасны в руках необученных пользователей.

e) Обслуживайте электроинструменты. Проверьте несоосность движущихся частей, поломку деталей и любые другие состояния, которые могут повлиять на работу электроинструмента. В случае повреждения отремонтируйте электроинструмент перед использованием. Многие несчастные случаи связаны с плохим обслуживанием электроинструментов.

f) Поддерживайте заточку и чистоту

режущих инструментов. Правильно обслуживаемые режущие инструменты с острыми режущими кройками легче контролировать, и снижается вероятность их деформации.

g) Используйте электроинструмент, принадлежности и т. д. в соответствии с этими инструкциями, с учетом условий выполняемой работы.

Использование электроинструмента для операций, отличающихся от предназначенного использования, может привести к опасной ситуации.

h) Следите, чтобы руки и захватные поверхности были сухими, чистыми и свободными от смазочного масла и консистентной смазки. Скользкие ладони и захватные поверхности не позволяют безопасно обращаться с инструментом и контролировать его в непредвиденных ситуациях.

5) ИСПОЛЬЗОВАНИЕ И ОБСЛУЖИВАНИЕ АККУМУЛЯТОРНЫХ ИНСТРУМЕНТОВ

a) Для зарядки используйте только зарядное устройство, указанное изготовителем. Зарядное устройство, которое подходит для одного типа аккумуляторов, может представлять опасность возгорания при использовании с другим типом аккумуляторов.

b) Используйте электроинструменты только со специально предназначенными аккумуляторами. Использование любого другого типа аккумуляторов может стать причиной травм и пожара.

c) Когда аккумулятор не используется, храните его подальше от других металлических предметов, например, скрепок, монет, ключей, гвоздей, винтов или других небольших металлических предметов, которые могут привести к замыканию клемм. Замыкание клемм аккумулятора может стать причиной ожогов или пожара.

d) В неблагоприятных условиях из аккумулятора может вытекать жидкость; избегайте контакта с этой жидкостью. Если контакт все же произошел, промойте пострадавшее место водой. Если жидкость попала в глаза, немедленно обратитесь за медицинской помощью. Жидкость, вытекающая из аккумулятора, может вызвать раздражение или ожоги.

e) Не используйте аккумулятор или инструмент в случае их повреждения или изменения. Поврежденные или измененные аккумуляторы могут вести себя непредсказуемо, что может стать причиной пожара, взрыва или опасности получения травм.

f) Не подвергайте аккумулятор или инструмент воздействию огня или

избыточной температуры. Воздействие огня или температуры выше 130°C может стать причиной взрыва.

g) Выполняйте все инструкции по зарядке и не заряжайте аккумулятор или инструмент вне пределов диапазона температур, указанных в инструкциях.

Неправильная зарядка или зарядка при температурах, которые выходят за пределы указанного диапазона, может повредить аккумулятор и увеличить опасность пожара.

6) ОБСЛУЖИВАНИЕ

a) Обслуживайте свой инструмент только с помощью квалифицированного специалиста по ремонту, используя только идентичные запасные части.

Это обеспечит поддержание безопасности электроинструмента.

b) Никогда не обслуживайте поврежденные аккумуляторы.

Обслуживание аккумуляторов должно выполняться только изготовителем или авторизованными сервисными провайдерами.

1) Общие предупреждение о соблюдении техники безопасности при работе с цепной пилой:

a) Держитесь подальше от движущейся цепи работающей пилы. Перед запуском пилы обязательно убедитесь в отсутствии контакта пильной цепи с какими-либо предметами. Потеря внимания на короткое мгновение во время работы с цепной пилой может привести к захвату одежды или какой-либо части тела пильной цепью.

b) Всегда держите цепную пилу правой рукой за заднюю рукоятку, а левой рукой – за переднюю. Удержание цепной пилы в другом рабочем положении рук резко повышает опасность травмирования и поэтому недопустимо.

c) Обязательно держите электроинструмент только за изолированные ручки, поскольку пильная цепь может задеть скрытую электропроводку. Контакт пильной цепи с находящейся под напряжением проводкой может заряжать металлические части электроинструмента и приводить к удару электрическим током.

d) Обязательно надевайте защитные очки и средства защиты органов слуха. Рекомендуется также использовать средства индивидуальной защиты для головы, рук и ног. Подходящая защитная одежда и обувь снижает опасность травмирования выплетающими стружками и при случайном контакте с движущейся пильной

цепью.

e) Не эксплуатируйте цепную пилу, находясь на дереве, на лестнице, на крыше или на любой неустойчивой опоре. Работа цепной пилой на дереве связана с высокой опасностью травмирования.

f) Всегда следите за правильной стойкой и используйте цепную пилу только при стойке на прочном, безопасном и ровном грунте. Скользкое или нестабильное основание, напр., на лестнице, может привести к потере равновесия и, как следствие, к потере контроля над цепной пилой.

g) При обрезании напряженных ветвей обязательно считайтесь с возможностью их неожиданного отпружинивания. При высвобождении механического напряжения древесных волокон выпрямляющиеся напряженные ветки могут попасть в работающего и/или привести к потере контроля над цепной пилой.

h) Будьте особенно осторожны при обрезании подлеска и молодых деревьев. Тонкий срезаемый материал, захваченный пильной цепью, может нанести неожиданный удар или вывести из состояния равновесия.

i) Переносите цепную пилу только в выключенном состоянии, держа ее за переднюю рукоятку так, чтобы пильная цепь всегда смотрела в сторону от Вашего корпуса тела. При транспортировке или хранении цепной пилы всегда надевайте на нее защитный кожух. Внимательное обращение с цепной пилой резко снижает вероятность случайного контакта с движущейся пильной цепью.

j) Тщательно выполняйте все указания по смазке и натяжению цепи и своевременно заменяйте принадлежности. Неправильно или недостаточно хорошо натянутая или несмазанная цепь существенно повышает опасность появления рынков или отдачи инструмента.

k) Используйте инструмент только для распилки древесины. Не используйте цепную пилу для выполнения работ, не предусмотренных в инструкции по эксплуатации. Пример: не используйте цепную пилу для распилки пластмасс, каменной кладки или недревесных строительных материалов. Применение цепной пилы для выполнения работ не по прямому назначению может привести к чрезвычайно опасным ситуациям.

l) Не пытайтесь повалить дерево до тех пор, пока не оцените все риски и не найдете способы их избежать. При валке дерева оператор или посторонние лица могут получить серьезные травмы.

- m) При очистке застрявшего материала, хранении или обслуживании цепной пилы следуйте всем инструкциям. Убедитесь, что выключатель выключен, а аккумуляторная батарея демонтирована.** Неожиданное срабатывание цепной пилы при очистке застрявшего материала или обслуживании может привести к серьезным травмам.
- n) Начинающему пользователю рекомендуется, как минимум, попрактиковаться в распилке бревен на козлах или подставке.**
- o) Рекомендуется выполнять заточку и техническое обслуживание пильной цепи в авторизованных сервисных центрах.**

2) Причины и возможность исключения отдачи пилы:

Отдача может возникнуть при контакте острой направляющей шины с каким-либо предметом или при изгибе древесины, приводящем к зажатию пильной цепи в пропиле.

Прикасание острой шины к постороннему предмету может привести в ряде случаев к неожиданному и направленному назад отскоку, при котором направляющая шина откидывается вверх в направлении оператора.

Зажатие верхнего края направляющей шины пильной цепи может привести к быстрому отскоку шины в направлении оператора.

Каждая такая реакция может привести к потере контроля над пилой и тяжелой травме. Не полагайтесь только на встроенные в пиле предохранительные устройства обеспечения безопасности. Пользователи цепной пилы должны принять все возможные меры предосторожности для обеспечения безопасной работы.

Рикошет является следствием ошибочного или неправильного использования электроинструмента.

Последнее можно предотвратить подходящими мерами предосторожности, описанными далее:

- a) Крепко держите пилу двумя руками, при этом пальцы должны хорошо охватывать рукоятки цепной пилы. Занимайте такое положение и всегда держите руки так, чтобы при необходимости надежно противостоять силам отдачи.** При принятии надлежащих мер предосторожности оператор может совладать с усилиями отдачи. Никогда не выпускайте из рук включенную цепную пилу.
- b) Избегайте непригодных для работы положений корпуса и не пилите на уровне выше плеч.** Это позволит исключить случайные прикосновения острой шины к окружающим предметам и обеспечит лучший контроль за цепной пилой в непредвиденных ситуациях.
- c) Всегда используйте только предписанные изготовителем**

запасные шины и пильные цепи.

Использование непригодных шин и пильных цепей может привести к разрывам цепи или отдаче.

- d) Выполняйте указания изготовителя при заточке и выполнении технического обслуживания пильной цепи.** Слишком низко установленные ограничители глубины повышают возможность отдачи.

ПРАВИЛА ТЕХНИКИ БЕЗОПАСНОСТИ ДЛЯ АККУМУЛЯТОРНОЙ БАТАРЕИ

- a) Не допускается разбирать, вскрывать, измельчать элементы питания и аккумуляторную батарею.**
- b) Не допускается накоротко замыкать элементы питания или аккумулятор. Не допускается беспорядочно хранить элементы питания или аккумулятор в коробе или ящике, где они могут замкнуть друг друга или могут быть замкнуты другими металлическими предметами.** Если аккумуляторная батарея не используется, держите ее подальше от металлических предметов, таких как зажимы, монеты, гвозди, винты и прочие металлические предметы небольшого размера, которые могут соединить клеммы друг с другом. Короткое замыкание клемм батареи может стать причиной ожогов или пожара.
- c) Не допускается подвергать аккумуляторную батарею воздействию высоких температур или пламени. Избегайте хранения аккумуляторной батареи в местах, подверженных воздействию прямого солнечного света.**
- d) Не допускается подвергать аккумуляторную батарею механическим ударам**
- e) В случае протечки аккумуляторной батареи, не допускайте контакта электролита с кожей или глазами. В случае такого контакта необходимо промыть пораженный участок обильным количеством воды и обратиться за медицинской помощью.**
- f) В случае проглатывания элемента питания или аккумулятора необходимо незамедлительно обратиться за медицинской помощью.**
- g) Аккумуляторную батарею необходимо содержать в чистоте и сухости.**
- h) В случае загрязнения контактов аккумуляторной батареи их необходимо протереть чистой сухой тканью.**

- i) **Аккумуляторную батарею необходимо заряжать перед использованием. Всегда следуйте данной инструкцией и используйте правильный порядок зарядки.**
- j) **Не допускается оставлять аккумулятор на зарядном устройстве, если он не используется.**
- k) **После продолжительного хранения может потребоваться несколько раз зарядить и разрядить аккумуляторную батарею для достижения максимальной эффективности ее работы.**
- l) **Аккумуляторная батарея работает наиболее эффективно при нормальной комнатной температуре (20°C ±5°C).**
- m) **При утилизации аккумуляторных батарей держите их отдельно от других электромеханических систем.**
- n) **Используйте только зарядные устройства, указанные WORX. Не допускается использовать какие-либо зарядные устройства, за исключением специально предназначенных для данного оборудования. Зарядное устройство, которое подходит для одной аккумуляторной батареи, может стать причиной пожара при использовании с другой аккумуляторной батареей.**
- o) **Не допускается использовать какие-либо аккумуляторные батареи, не предназначенные для использования с данным оборудованием.**
- p) **Храните аккумуляторную батарею в местах, недоступных для детей.**
- q) **Следует сохранить оригинальную документацию на изделие для будущего использования.**
- r) **По возможности извлекайте аккумуляторную батарею из изделия, если она не используется.**
- s) **Утилизируйте аккумуляторную батарею должным образом.**
- t) **Не используйте с устройством элементы разного производства, емкости, размера или типа.**
- u) **Не извлекайте батарейный блок из оригинальной упаковки до начала использования.**
- v) **Осмотрите отметки «плюс» (+) и «минус» (-) на батарее и удостоверитесь в правильном использовании.**

СОХРАНИТЕ ЭТУ ИНСТРУКЦИЮ

Указания, касающиеся правильных методов вырубki, обрезки сучьев и поперечной распиловки

1. Валка деревьев

Если валка и распилка деревьев производится одновременно двумя или более работниками, то между рабочими, производящими валку и распилку, должно выдерживаться расстояние, равное минимум удвоенной высоте спиливаемых деревьев. При валке деревьев внимательно следите за тем, чтобы другие лица не подвергались опасности, не повреждались питающие электрические проводки и не возникла возможность нанесения материального ущерба. Если спиливаемое дерево вступит в контакт с электрической проводкой, то немедленно известите об этом энергоснабжающее предприятие.

При выполнении работ на склонах оператор цепной пилы должен всегда находиться выше спиливаемого дерева, поскольку спиленное дерево вероятнее всего будет скатываться или соскальзывать по склону вниз.

Перед валкой дерева должен быть запланирован путь отхода и при необходимости следует подготовить и освободить его. Путь отхода должен вести в сторону и вверх от ожидаемой линии падения деревьев. (См. рис. 1)

Перед повалкой дерева следует принять во внимание его естественный наклон, положение его самых крупных ветвей и направление ветра, чтобы правильно оценить возможное направление его падения.

С дерева следует предварительно удалить грязь, камни, отставшую кору, гвозди, металлические скобы и проволоку.

2. Произведите засечку

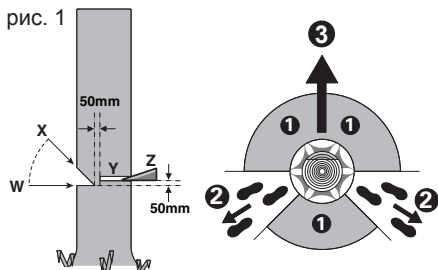
Пропилите под прямым углом со стороны падения дерева запил в его стволе на глубину, равную 1/3 диаметра ствола. Вначале выполните нижний горизонтальный запил. Это позволит избежать зажатия пильной цепи или направляющей шины пилы при выполнении второго запила. (См. рис. 1).

3. Выполнении повалочного запила

Произведите повалочный запил минимум 50 мм выше горизонтального запила. Повалочный запил следует выполнять параллельно горизонтальному запилю. Пропилите повалочный запил только так глубоко, чтобы осталась вертикальная древесная перемычка, которая могла бы служить шарниром. Эта перемычка должна предотвратить возможность поворота дерева и его падения в неправильном направлении. Не перепиливайте эту перемычку. (См. рис. 1)

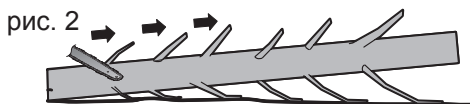
При приближении повалочного запила к перемычке дерево начинает валиться. Если станет видно, что дерево может упасть в нежелаемом направлении или даже наклонится назад и зажать пильную цепь, прервите выполнение повалочного запила и используйте для открытия запила и окончательной повалки дерева в желаемом направлении клинья из дерева, пластмассы или алюминия.

Если дерево начнет падать, удалите цепную пилу из запила, выключите и отложите ее в сторону, покиньте опасную зону по запланированному пути отхода. Следите за упавшими вниз ветвями и не запнитесь о них.



4. Удаление ветвей

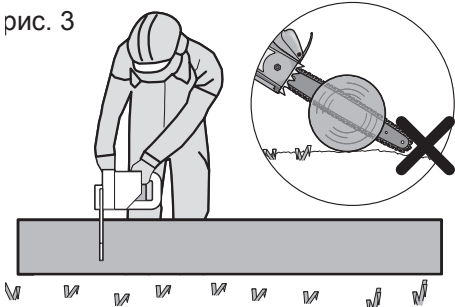
Под удалением ветвей подразумевается их спиливание с уже поваленного дерева. При удалении ветвей вначале оставьте на месте самые крупные из них, которые направлены вниз и на которые опирается поваленное дерево. Удалите меньшие ветки одним запилком, как это показано на рисунке. Ветки, находящиеся под напряжением, должны отпиливаться снизу вверх, чтобы исключить возможность зажатия пильной цепи. (См. рис. 2)



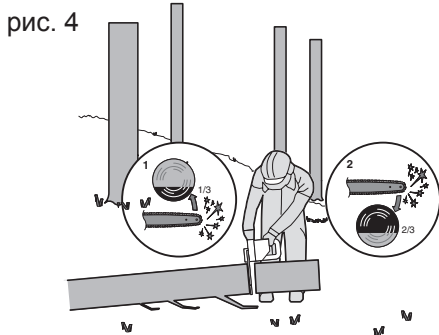
5. Разрезание ствола дерева на части

Под этим понимается распиливание ствола поваленного дерева по длине на части. Следите за безопасностью стойки и равномерным распределением веса тела на обе ноги. Если это возможно, следует создать опору для ствола дерева с помощью ветвей, балок или клиньев. Выполняйте простые указания для легкого распиливания.

Если ствол дерева будет равномерно уложен по всей длине, начните распилку сверху. (См. рис. 3)

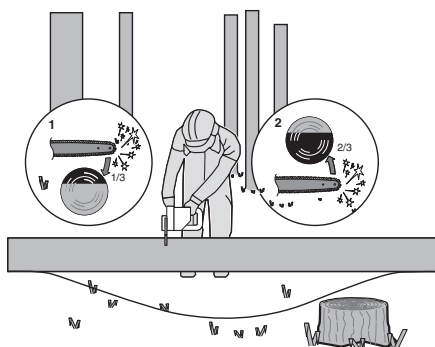


Если ствол дерева лежит на одном конце, пропилите вначале 1/3 диаметра ствола с нижней стороны, а затем пропилите остаток сверху над местом нижнего запила. (См. рис. 4)



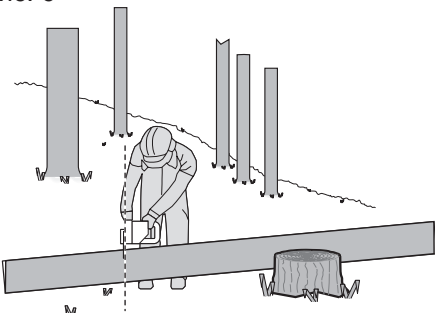
Если ствол дерева лежит на обоих концах, пропилите вначале 1/3 диаметра ствола с верхней стороны, а затем пропилите 2/3 снизу на месте верхнего запила. (См. рис. 5)

рис. 5









При выполнении распилочных работ на склоне стойте всегда выше ствола дерева. Для сохранения полного контроля во время «пропиливания» уменьшайте в конце пропила прижимное усилие, не ослабляя крепость захвата рукояток цепной пилы. Внимательно следите за тем, чтобы пильная цепь не касалась земли. После завершения распила перед удалением цепной пилы дождитесь полной остановки пильной цепи. Всегда выключайте двигатель цепной пилы при переходе от одного дерева к другому. (См. рис. 6)

рис. 6



УСЛОВНЫЕ ОБОЗНАЧЕНИЯ

	Для снижения риска травмы пользователь должен прочитать руководство по эксплуатации.
	Предупреждение
	Наденьте защиту слуха
	Наденьте защитные очки
	Наденьте респиратор
	При использовании пилы всегда держите ее двумя руками
	Остерегайтесь отдачи цепной пилы и избегайте контакта с наконечником шины
	Одевайте защиту для головы
	Одевайте защитные перчатки
	Одевайте защитную обувь
	Во избежание поражения электрическим током оберегайте устройство от дождя

 Li-Ion  Li-Ion	тий-ионный аккумулятор Этот продукт был отмечен символом, связанным с «раздельным сбором» для всех батарейных блоков и батареи. Затем он утилизируется или раскреплен, чтобы уменьшить воздействие на окружающую среду. Батарейный блок могут быть вредны для окружающей среды и здоровья человека, поскольку они содержат вредные вещества.
	Не поджигать.
	правильной утилизации батареи могут попасть в водный цикл, что может быть опасным для экосистемы. Не выбрасывайте использованные батареи в несортированные бытовые отходы.
	Разблокировано
	Заблокировано




СПИСОК СОСТАВЛЯЮЩИХ

1. ЗАДНЯЯ РУЧКА
2. ПЕРЕКЛЮЧАТЕЛЬ ВКЛ./ВЫКЛ.
3. ИНДИКАТОР ПИТАНИЯ
4. ПЕРЕДНЯЯ РУКОЯТКА
5. РЫЧАГ ТОРМОЗА ПИЛЬНОЙ ЦЕПИ (ЗАЩИТНОЕ УСТРОЙСТВО РУКОЯТКИ)
6. ЦЕПЬ
7. ПИЛЬНАЯ ШИНА
8. РУЧКА РЕГУЛИРОВКИ НАТЯЖЕНИЯ ПИЛЬНОЙ ЦЕПИ
9. КОЖУХ ЦЕПИ
10. ЗАЩИТНОЕ УСТРОЙСТВО ЗАДНЕЙ РУКОЯТКИ
11. БАТАРЕЙНЫЙ БЛОК*
12. КНОПКА ВЫПУСКА БАТАРЕЙНОГО БЛОКА*
13. КНОПКА БЛОКИРОВКИ
14. ОКНО ДЛЯ ПРОВЕРКИ УРОВНЯ МАСЛА
15. КРЫШКА МАСЛОЗАПРАВОЧНОЙ ГОРЛОВИНЫ
16. БОЛТ КРЕПЛЕНИЯ ШИНЫ
17. ХРАНЕНИЕ ШИНЫ И ЦЕПИ/УПАКОВКА ДЛЯ ТРАНСПОРТИРОВКИ (ЗАЩИТНЫЙ КОЖУХ)
18. КРЕПЕЖНЫЕ ЛАПКИ ШИНЫ
19. МАСЛОВЫПУСКНОЕ ОТВЕРСТИЕ
20. ВТУЛКА АМОРТИЗАТОРА
21. ПРОКЛАДКА ШИНЫ
22. ЗНАЧОК НАПРАВЛЕНИЯ ЦЕПИ
23. ЗВЕЗДОЧКА ПРИВОДА
24. ПАНЕЛЬ НАТЯЖЕНИЯ ШИНЫ (СМОТРИТЕ РИС. А2)

* Не все принадлежности, иллюстрированные или описанные включены в стандартную поставку.

ТЕХНИЧЕСКИЕ ДАННЫЕ

Тип **WG381E WG381E.9** (3 -обозначение машинного оборудования, бензопилы)

	WG381E	WG381E.9
Напряжение	40V  MAX (2x20V Max.)**	
Длина шины	30cm	
Скорость цепи	6.3m/s	
Емкость масляного бака	150ml	
Шаг пильной цепи	3/8"(0.95cm)	
Число звеньев цепной передачи	45	
Цепная рейка	1.1mm	
Тип цепи	QR: A0 (T)-52E / OREGON: 90PX045X	
Тип шины	QR: P014-43SR(T) / OREGON: 124MLEA041	
Емкость батарей	2.0 Ah (WA3551)	/
Тип батареи	Ионно-литиевая	/
Модель зарядного устройства	WA3883	/
Ток заряда	Вход: 100-240В~50-60Гц Выход1: 20 В  , 2.0А *** Выход2: 20 В  , 2.0А ***	/
Время зарядки (примерно) Батарейный блок: 2.0 Ah (1pc) 2.0 Ah (2pcs)	0.5 hr 1 hr	/
Вес устройства	4.5kg	3.8kg

**Напряжение, измеренное без нагрузки. Начальное напряжение батареи достигает максимум 20 вольт. Номинальное напряжение 18 вольт

***Выход 1 и выход 2 зарядного устройства означают два порта с одинаковым выходным напряжением и током.

КОМПЛЕКТУЮЩИЕ


	WG381E	WG381E.9
Цепь	1	1
Шина	1	1
Упаковка для транспортировки	1	1
Зарядное устройство(WA3883)	1	/
Батарея (WA3551)	2	/

Рекомендуется приобретать все принадлежности в том же магазине, где был приобретен инструмент. Смотрите более подробную информацию на упаковке принадлежности. Помощь и консультацию можно также получить у продавца.

Применение по назначению

Бензопила предназначена для распиливания деревьев, стволов деревьев, веток, деревянных балок, досок и т.д. Распил можно делать вдоль и поперек. Это изделие не подходит для распиливания минеральных материалов.

СБОРКА

 **ОСТОРОЖНО! Не устанавливайте батарейный блок до полного завершения сборки.**

Всегда используйте перчатки при работе с цепью.

МОНТАЖ ЦЕПИ И ПИЛЬНОЙ ШИНЫ

1. Осторожно распакуйте все части. Снимите кожух цепи, повернув ручку регулировки натяжения пильной цепи против часовой стрелки. (Смотрите рис. A1)
2. Положите бензопилу на ровную, устойчивую поверхность.
3. **Используйте только оригинальные цепи WORX или цепи, рекомендованные для пильной шины.**
4. Вставьте цепь в паз вокруг направляющей шины. Убедитесь, что цепь находится в правильном направлении движения, сравнив его со значком цепи на направляющей шине, или посмотрев на значок направления цепи на станке пилы. Убедитесь, что панель натяжения шины обращена наружу. (Смотрите рис. A2)
5. Наденьте цепь на ведущую звездочку так, чтобы болт крепления шины и установочных выступов шины на планке совпали со шпоночным пазом отверстия на направляющей шины. (Смотрите рис. B1, B2)
6. Убедитесь, что все детали установлены правильно, и удерживайте цепь и направляющую шину в горизонтальном положении. Убедитесь, что приводные звенья полностью вставлены в звездочку привода (смотрите рис. C1), без изгиба, как показано на рис. C2. Если возникает изгиб, возьмите цепь на направляющей шине перед изгибом и потяните чтобы выровнять его.

ПРИМЕЧАНИЕ: Цепь должна свободно вращаться и изгибов не должно быть.

7. Установите кожух цепи и затяните, повернув ручку регулировки натяжения пильной цепи по часовой стрелке до упора. (Смотрите рис. D)
8. Цепь будет растягиваться во время работы и потеряет правильное натяжение. Когда натяжение цепи теряется, полностью выкрутите ручку регулировки натяжения пильной цепи или поверните ручку на три (3) полных оборота в направлении против часовой стрелки, затем затяните ручку регулировки натяжения пильной цепи чтобы правильно установить натяжение



цепи, повторив шаги 6-7, перечисленные выше.

ОСТОРОЖНО! Цепь еще не натянута. Натяжение цепи производится как описано в разделе «Натяжение цепи». Теперь нужно проверить цепь, чтобы убедиться что натяжение цепи установлено правильно.

НАТЯЖЕНИЕ ЦЕПИ (смотрите рис. E1, E2)

ПРИМЕЧАНИЕ: Новые пильные цепи будут растягиваться. Постоянно проверяйте натяжение цепи при первом использовании и затягивайте, когда цепь растягивается вокруг направляющей шины.




ОСТОРОЖНО!

- Извлечение батарейного блока перед регулировкой натяжения пильной цепи.
- Режущие кромки на цепи острые. **Используйте защитные перчатки когда берете цепь.**
- Всегда поддерживайте правильное натяжение цепи. **Ослабленная цепь увеличивает риск отдачи. Ослабленная цепь может выпасть из паза направляющей шины. Это может привести к нанесению поврежденный рабочему и повреждению цепи. Ослабленная цепь приведет к быстрому износу цепи, шины и звездочки.**


1. Поместите бензопилу на плоскую поверхность.
2. Поверните ручку регулировки натяжения пильной цепи по часовой стрелке до упора. **ПРИМЕЧАНИЕ:** Натяжение автоматически увеличивается, когда ручку регулировки натяжения пильной цепи поворачивают по часовой стрелке. Встроенный храповой механизм предотвращает ослабление натяжения цепи.
3. Наклоните пилу вперед (см. E1), когда наконечник направляющей шины выталкивается в направлении вниз. Это позволит устранить провисание цепи.
4. Полностью затяните ручку регулировки натяжения пильной цепи по часовой стрелке.
5. Перепроверьте натяжение автоматически установленное ручкой регулировки натяжения пильной цепи. Правильное натяжение цепи достигнуто, когда цепь поднимается приблизительно на половину глубины приводного звена (3-5мм) от направляющей шины в центре. Это должно быть сделано одной рукой, чтобы поднять цепь против веса устройства. (Смотрите рис. E2) **ПРИМЕЧАНИЕ:** Натяжение в цепи установлено надлежащим образом, когда ее можно поднять с направляющей шины, и приводное звено находится в направляющей шины. **ПРИМЕЧАНИЕ:** Цепь будет растягиваться во время работы и потеряет правильное натяжение. Когда натяжение цепи ослабнет, полностью открутите ручку регулировки натяжения цепи

или поверните ее на три оборота против часовой стрелки, затем заново затяните ручку регулировки натяжения цепи, чтобы правильно настроить натяжение цепи, повторив шаги 1-4, перечисленные выше.


СМАЗКА (смотрите рис. F)

 **ВАЖНО:** Бензопила не заполнена смазочным маслом. Очень важно заполнить масло перед использованием. Никогда не работайте с бензопилой без смазочного масла для цепи или пустым масляным баком, так как это приведет к значительному повреждению устройства.

ПРИМЕЧАНИЕ: Срок эксплуатации цепи и режущая способность зависят от смазки. Поэтому, цепь автоматически смазывается во время работы.

 **Заполнение масляного бака:**
ОСТОРОЖНО! Удалите батарейный блок перед тем, как наполнить масляный бак.

1. Установите бензопилу на подходящую поверхность, чтобы крышка маслозаправочной горловины смотрела вверх.
2. Очистить зону вокруг крышки маслозаправочной горловины тканью и отвинтите крышку, повернув ее против часовой стрелки.
3. Заливайте смазочное масло для цепи и шины пока бак не будет заполнен.
4. Следите за тем, чтобы грязь и мусор не попали в масляный бак, поместите крышку маслозаправочной горловины и затяните, повернув по часовой стрелке до упора.


 **ВАЖНО:** Чтобы обеспечить вентиляцию масляного бака, между крышкой маслозаправочной горловины и фильтром предусмотрены небольшие вентиляционные каналы, чтобы предотвратить утечку убедитесь что устройство находится в горизонтальном положении, когда она не используется.

Важно использовать только рекомендованное стандартное масло для шины и цепей (Класс: ISO VG32), чтобы избежать повреждения бензопилы. Его можно найти в том месте, где Вы купили эту пилу или местном магазине технических товаров. Никогда не используйте сделанное из вторичного сырья старое масло. Использование не рекомендованного масла приведет к аннулиции гарантии. Не глотайте. Если проглотили, немедленно вызовите врача. Хранить в местах, не доступных для детей. Хранить вдали от источников тепла и открытого огня.

Проверка автоматического смазчика


Надлежащее функционирование автоматического смазчика можно проверить, запустив бензопилу

и направив наконечник направляющей цепной шины на кусок картона или бумаги на земле. Если на картоне появляются следы от масла, автоматический смазчик работает нормально. Если масляных следов нет, несмотря на полный масляный резервуар, свяжитесь с сервисным агентом WORX или уполномоченным сервисным агентом WORX.

 **Осторожно! Не касайтесь земли цепью. Обеспечьте безопасное расстояние в 30см.**

РАБОТА

1. ПЕРЕД ИСПОЛЬЗОВАНИЕМ ВАШЕГО АКУМУЛЯТОРНОГО УСТРОЙСТВА

 **ОСТОРОЖНО!** Зарядное устройство и батарейный блок специально разработаны для совместной работы, поэтому не пытайтесь использовать какие-либо другие устройства. Никогда не вставляйте металлические предметы в зарядное устройство или соединения батарейного блока из-за возникновения рисков и опасности связанных с электричеством.

ПРИМЕЧАНИЕ: Ваш батарейный блок разряжен, перед использованием необходимо зарядить один раз.

Зарядное устройство которое идет в комплекте, соответствует ионно-литиевой батарее, установленной в устройстве. Не используйте другое зарядное устройство.

2. ПРОВЕРКА УРОВНЯ ЗАРЯДА БАТАРЕИ (смотрите рис. G)

Уровень заряда батареи можно узнать по индикаторной лампе батареи, нажатием на кнопку рядом с лампой.

ПРИМЕЧАНИЕ: Рисунок G применяется только для батареи со световым индикатором заряда батареи.

3. ЗАРЯДКА ВАШЕГО БАТАРЕЙНОГО БЛОКА (смотрите рис. H)

Ионно-литиевая батарея защищена от глубокой разрядки. Когда аккумулятор разряжен, устройство отключается с помощью цепи защиты. Каждая батарея должна быть полностью заряжена перед первым использованием.

При работе в теплой среде или после интенсивного использования, батарея может стать слишком горячей для зарядки. Дайте батарее остыть перед зарядкой.

ПРИМЕЧАНИЕ: Всегда полностью заряжайте две батареи в одно и то же время. Больше информации можно получить в инструкции к зарядному устройству.

4. ЧТОБЫ ИЗВЛЕЧЬ ИЛИ ПОСТАВИТЬ БАТАРЕЙНЫЙ БЛОК (смотрите рис. I)

Нажмите кнопку отсоединения батарейного блока, чтобы извлечь 2 батарейных блока из Вашего устройства. После зарядки, вставьте 2 батареи в слоты для батарей. Подтолкните и надавите пока не услышите щелчок. Проверьте чтобы батарея была хорошо зафиксирована.

ПРИМЕЧАНИЕ:

- При извлечении батарейного блока держите его крепко, чтобы избежать падения и травм.
- Оборудование будет работать только при условии установки двух батарей. Рекомендуется использовать одинаковые две батареи и заряжать две батареи одновременно.
- Когда вы используете две батареи с разной мощностью, оборудование будет работать только до наименьшего общего знаменателя.

5. ЛАМПОЧКА ИНДИКАТОРА ПИТАНИЯ (смотрите рис. J)


ВАЖНО:

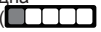
Когда горит только одна лампочка, батарея чрезмерно разряжена, хотя устройство по-прежнему может работать. Продолжая работать с батареей в разряженном состоянии, Вы уменьшаете срок службы и производительность батареи.

Когда лампочки не горят, минимум одна батарея полностью не установлена или неисправна, пожалуйста, проверьте чтобы батареи были правильно установлены.

СОСТОЯНИЕ БАТАРЕИ

- Перед началом работы или после использования, нажмите кнопку рядом с индикатором питания на устройстве, чтобы проверить емкость батареи.
- Во время работы емкость батареи будет автоматически показана индикатором заряда батареи. Индикатор постоянно проверяет и отображает состояние батареи следующим образом.
- Для устройства с 2 батарейными блоками разной мощности, на индикаторе питания отображается состояние батареи с нижним из двух батарей показателем заряда.

Состояние лампочки-индикатора батареи	Состояние батареи
Горят пять зеленых лампочек. 	Две батареи полностью заряжены.

Две, три или четыре зеленых лампочки горят.	У двух батарей еще есть заряд. Чем больше лампочек горит, тем больше заряд батареи.
Только одна зеленая лампочка горит. 	Уровень заряда минимум одного батарейного блока очень низкий. Пожалуйста, проверьте и зарядите батарейный блок.
Лампочки не горят.	Минимум одна батарея не установлена полностью или повреждена.
Только одна лампочка мигает два раза в цикл.	Минимум одна батарея чрезмерно разряжена (см. Состояние заряда батареи), пожалуйста, зарядите две батареи сразу перед повторным использованием или хранением.
Только одна лампочка мигает три раза в цикл.	Минимум одна батарея перегрелась, подождите, пока они остынут перед тем как снова начать работу.
Только одна лампочка мигает четыре раза в цикл.	Устройство перегружено. Уберите устройство отобласти, которую необходимо обрезать, и попробуйте еще раз.

6. ВКЛЮЧЕНИЕ И ВЫКЛЮЧЕНИЕ (СМОТРИТЕ РИС. K)



Внимание: Проверьте батарейный блок перед началом использования аккумуляторного устройства. Используйте только батарейный блок указанный в перечне комплектующих.

Для включения устройства, нажмите на кнопку разблокировки, затем полностью нажмите переключатель вкл./выкл. и удерживайте в этом положении. Кнопку блокировки теперь можно отпустить. Для выключения, отпустите переключатель вкл./выкл.

ПРИМЕЧАНИЕ: Цепной тормоз должен быть активирован для включения пилы.

7. ТОРМОЗНОЙ РЫЧАГ ЦЕПИ (смотрите рис. L)

Тормозной рычаг цепи - это механизм безопасности, который активируется через переднюю предохранительную накладку, когда возникает отдача. Цепь сразу же останавливается.

Проверка соответствующе функции должна проводиться регулярно. Потяните переднюю предохранительную накладку в сторону работника (положение ①), чтобы выключить цепной тормоз. Чтобы активировать цепной тормоз, надавите

на переднюю предохранительную накладку по направлению вперед (положение ②).

ПРИМЕЧАНИЕ: Если пила не запускается, даже когда она собрана правильно и работает с полностью заряженными батарейными блоками, Вам следует проверить, находится ли тормозной рычаг цепи в правильном положении (положение ①).

8. РАСПИЛИВАНИЕ



ВАЖНО: Наполнен ли масляный бак?

Проверяйте окно уровня масла перед запуском и регулярно во время работы (смотрите рис. M). Долейте масло когда уровень масла низкий. Полного масляного бака хватает примерно на 12 минут распиливания в зависимости от интенсивности и остановок. Проверьте натяжение цепи каждые 10 минут во время работы.

- (1) Установка батарейного блока в устройство.
- (2) Убедитесь, что бревно для распила не лежит на земле. Это предотвратит контакт цепи с землей во время распиливания бревна. Контакт с землей во время движения цепи опасен и затупит цепь.
- (3) Держите пилу двумя руками. Держите переднюю ручку левой рукой и заднюю ручку – правой рукой. Держите крепко. Пальцами необходимо крепко обхватить руки пилы. (Смотрите рис. N)
- (4) Убедитесь, что Вы крепко стоите на ногах. Держите ноги на ширине плеч. Распределите свой вес равномерно на обе ноги.
- (5) Когда Вы будете готовы сделать разрез, нажмите кнопку блокировки большим пальцем правой руки и надавите на спусковой рычаг. Так Вы включите пилу. Выключить пилу можно отпустив спусковой рычаг. Убедитесь, что пила работает на полной скорости, прежде чем начинать резать.
- (6) Когда начинаете резать, медленно поместите движущуюся цепь к дереву. Дерево должно быть максимально близко к пиле. Крепко держите пилу, чтобы избежать возможных дрожания или скольжения (боковое движение) пилы.
- (7) Направляйте пилу легким давлением и не применяйте чрезмерную силу, позволяя пиле выполнять свою работу. Двигатель переизгружен и может сгореть. Она будет выполнять работу лучше и безопаснее при скорости, для которой она была предназначена.
- (8) Удалите пилу от разреза, когда она работает на полной скорости. Остановите работу пилы, отпустив переключатель вкл./выкл. Убедитесь, что цепь остановилась, перед тем как положить пилу.
- (9) Продолжайте практиковаться на непригодных бревнах в безопасной рабочей зоне, пока Вы не привыкните, используя плавные движения и стабильную скорость распила.

Предохранительные устройства от отдачи на данной пиле

Эта пила имеет цепь с низкой отдачей и направляющую шину со сниженной отдачей. Обе детали снижают вероятность отдачи. Не смотря на это, отдача все еще возможна. Следующие шаги снизят риск отдачи

- Держите пилу двумя руками когда пила работает. Держите крепко. Пальцами необходимо крепко обхватить руки пилы.
- Держите все защитные детали на местах. Убедитесь, что они правильно работают.
- Не осуществляйте распил на высоте выше уровня плеч.
- Всегда крепко стойте на ногах и держите равновесие.
- Стойте немного левее от пилы. Таким образом Ваше тело не находится на одной линии с цепью.
- Не допускайте, чтобы конец направляющей шины дотрагивался до чего-либо, когда цепь движется.
- Никогда не пытайтесь распилить два бревна сразу. Пилите по одному бревну за раз.
- Не погружайте конец направляющей шины и не пытайтесь врезаться (распиливать дерево используя конец направляющей шины)
- Следите за смещением древесины или других объектов, которые могут защемить цепь.
- Будьте предельно осторожны, когда погружаете пилу в уже сделанный распил.
- Используйте только цепи и направляющей шины с низкой отдачей, которые были поставлены с бензопилой или были рекомендованы.
- Никогда не используйте тупую или ослабленную цепь. Следите, чтобы цепь была заточена с соответствующим натяжением.

Как безопасно использовать пилу

1. Используйте бензопилу только если устойчиво стоите на ногах.
2. Держите бензопилу справа от себя (смотрите рис. O).
3. Цепь должна работать на полной скорости, прежде чем она вступает в контакт с древесиной.
4. Используйте зубья амортизатора, чтобы зафиксировать пилу на дереве перед началом резки.
5. Используйте зубья амортизатора в качестве рычага воздействия во время резки. (Смотрите рис. P)
6. Не пользуйтесь бензопилой с полностью вытянутыми руками, не пытайтесь пилить в труднодоступных местах, не стойте на лестнице во время работы (смотрите рис. Q).

Никогда не используйте бензопилу для работы на высоте выше уровня плеч.

Распил дерева под натяжением (смотрите рис. R)



ОСТОРОЖНО! Когда обрезаете ветку, которая находится под натяжением, будьте предельно осторожны. Будьте готовы к тому, что ветка может отскочить. Когда напряжение древесины ослабевает, ветка может отскочить назад и нанести удар работнику, что приведет к серьезным травмам или смерти.

При распиливании бревна которое поддерживается на обоих концах, начните разрез сверху (Y) примерно на 1/3 диаметра бревна, затем закончите разрез (Z) снизу, во избежание контакта пилы с землей. При распиливании бревна которое поддерживается только на одном конце, начните разрез снизу (Y) примерно на 1/3 диаметра бревна и завершите разрез сверху (Z) во избежание расщепления бревна или защемления бензопилы.

ЭКСПЛУАТАЦИЯ ПИЛЫ

Следуйте данным инструкциям по эксплуатации. Чистка пилы, цепи и обслуживание направляющей шины может уменьшить риски отдачи. Проверяйте и обслуживайте пилу после каждого использования. Это поможет продлить срок эксплуатации Вашей пилы. ПРИМЕЧАНИЕ: Даже при правильной заточке, риск отдачи может увеличиваться с каждой заточкой.

ОБСЛУЖИВАНИЕ И ХРАНЕНИЕ ПИЛЫ

1. Удалите батарейный блок
 - Когда не используется
 - Перед транспортировкой из одного места в другое
 - Перед обслуживанием
 - Перед заменой комплектующих частей, таких как цепь или защита
2. Осматривайте пильную цепь перед и после каждого использования. Тщательно осмотрите пилу в случае повреждения защиты или других частей. Проверьте на предмет любых повреждений, которые могут повлиять на безопасность работника или работу пилы. Проверьте синхронизацию или скрепление движущихся частей. Проверьте на наличие поломанных или поврежденных частей. Не используйте пилу в случае если неполадки могут повлиять на безопасность или работу пилы. Устраняйте поломки только в авторизованном сервисном центре. Чтобы найти авторизованный сервисный центр, посетите www.worx.com.
3. Аккуратно осуществляйте обслуживание бензопилы

- Никогда не подвергайте пилу воздействию дождя или чрезмерной влажности.
- Держите цепь заточенной, чистой и смазанной для более продуктивной и безопасной работы.
- Следуйте шагам в данной инструкции для того, чтобы заточить цепь.
- Держите ручки сухими, чистыми, без следов масла и жира.
- Следите чтобы все шурупы и болты были затянуты.
- 4. При починке, используйте только идентичные детали для замены.
- 5. Когда не пользуетесь, всегда храните бензопилу
 - в высоком или закрытом месте, вне зоны доступа для детей
 - в сухом месте
 - с обернутыми цепью и шиной

Обслуживание шины

Чтобы продлить срок эксплуатации шины, следует соблюдать следующие рекомендации по обслуживанию шины.

Рейки шины, которые держат цепь должны быть очищены перед хранением устройства или если шина или цепь грязные. Рейки нужно чистить каждый раз, когда снимаете цепь.

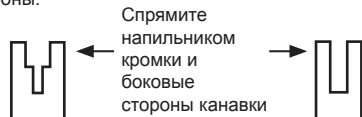
Чтобы очистить рейки шины.

1. Удалите кожу цепи, шину и цепь. (смотрите раздел КОМПОНОВКА)
2. Используя проволочную щетку, отвертку или аналогичный инструмент, удалите осадок из внутренних пазов шины. (Смотрите рис. S)
3. Убедитесь в том, что маслораспределительный канал тщательно очищен

Ситуации в которых требуется обслуживание цепи и направляющей шины:

- Пила делает разрез на одну сторону или под углом.
 - Нужно прикладывать силу, что совершить распил.
 - Неправильная подача масла на шину и цепь
- Проверяйте состояние направляющей шины каждый раз когда точите цепь. Изношенная направляющая шина повредит цепь и затрудит резку. После каждого использования, извлеките батарейный блок, очистите направляющую шину и отверстие цепного колеса от опилок

Если верх рейки неровный, используйте плоский напильник, чтобы восстановить квадратные края и стороны.



Изношенная канавка

Исправная канавка


Замените направляющую шину когда пазы изношены, если шина погнута или треснула, когда происходит перегрев или появляются зазубрины на рейках. При необходимости замены, используйте только направляющие шины, указанные в списке деталей для ремонта для Вашей пилы или на наклейках, расположенных на бензопиле.

колеса не окажется на одной линии с отверстием для смазки. Повторите процедуру смазки.

Замена шины и цепи


Замените цепь, если зубья слишком изношены, чтобы их можно было заточить, или когда цепь останавливается. Используйте только цепь для замены предложенную в данной инструкции. Осмотрите направляющую шину перед тем как заточить цепь. Изношенная или поврежденная направляющая шина небезопасна. Изношенная или поврежденная направляющая шина приведет к повреждению цепи. Также она затруднит резку. Вставьте ушки крепежной панели шины в новую шину, затянув винт по часовой стрелке. Вставьте выступы на панели (а) в пазы шины. (Смотрите рис. Т)

ЗАТОЧКА ПИЛЬНОЙ ЦЕПИ

 **ОСТОРОЖНО!** Извлеките батарейный блок перед обслуживанием. Тяжелая травма или смерть могут возникнуть в результате удара током или контакта тела с движущейся цепью.

Режущие кромки на цепи острые. Используйте защитные перчатки когда берете цепь.

Держите цепь заточенной. Ваша пила будет резать быстрее и более безопасно. Тупая цепь приведет к чрезмерному износу цепного колеса, направляющей шины, цепи и двигателя. Если Вы должны прикладывать силу чтобы распилить древесину и при резке появляются только опилки и несколько крупных щепок, значит что цепь тупая.

 Смазка цепного колеса **ОСТОРОЖНО!**

Одевайте прочные защитные перчатки при проведении любого обслуживания.

Всегда извлекайте батарейный блок, перед любым обслуживанием либо починкой данного устройства.

ПРИМЕЧАНИЕ:

Не обязательно снимать цепь или шину при смазке цепного колеса направляющей шины.

1. Очистите шину и цепное колесо.
2. Используя смазочный пистолет, вставьте наконечник пистолета в отверстие для смазки и вводите смазку до тех пор, пока она не появится на внешнем крае цепного колеса. (Смотрите рис. U)
3. Для поворота цепного колеса тяните цепь рукой до тех пор, пока не смазанная сторона цепного

ТАБЛИЦА УСТРАНЕНИЯ НЕИСПРАВНОСТЕЙ

В данной таблице приведены ряд проверок и действий, которые Вы можете выполнить, если устройство работает неправильно. Если это не определяет/решает проблему, свяжитесь с сервисным агентом.

ОСТОРОЖНО! Выключите и извлеките батарейный блок перед тем как диагностировать ошибку.

Симптомы	Возможная причина	Пути решения
Бензопила не работает	Низкий заряд батареи Цепной тормоз находится в неправильном положении.	Замените оба батарейных блока. Проверьте, находится ли цепной тормоз в положении ①. Смотрите ЦЕПНОЙ ТОРМОЗ для более детальной информации.
Бензопила работает с перерывами.	Перегрев Применение слишком большого давления во время резки Слабая связь. Повреждение внутренней проводки. Повреждение переключателя Вкл./Выкл.	Поместите устройство в прохладное место с хорошей вентиляцией чтобы оно охладилось. Применяйте меньше силы при резке. Свяжитесь с сервисным агентом. Свяжитесь с сервисным агентом. Свяжитесь с сервисным агентом.
Сухая цепь.	Нет смазочного масла в резервуаре. Вентиляционные отверстия в крышке маслозаправочной горловины забиты. Каналы подачи масла забиты.	Долейте масло. Очистите крышку. Очистите выпуск масляного канала.
38 Отдача тормоз/запуск Тормоз	Тормоз не останавливает цепь	Свяжитесь с сервисным агентом
Цепь/цепная шина Перегрев	Нет смазочного масла в резервуаре. Вентиляционные отверстия в крышке маслозаправочной горловины забиты. Каналы подачи масла забиты. Сверх-натяжение цепи. Тупая цепь.	Долейте масло. Очистите крышку. Очистите выпуск масляного канала. Настройте натяжение цепи. Заточите цепь либо замените.
Бензопила рвет, Вибрирует, не Распиливает надлежащим образом.	Натяжение цепи слишком слабое. Тупая цепь. Цепь изношена. Зубья цепи расположены в неправильном направлении.	Настройте натяжение цепи. Заточите цепь либо замените. Замените цепь. Переподключите цепь в правильном направлении.

Для аккумуляторных инструментов

Диапазон температур окружающей среды для использования и хранения инструмента и аккумулятора - 0°C-45°C.

Рекомендуемый диапазон температур окружающей среды для системы зарядки во время зарядки - 0°C-40°C.

ОХРАНА ОКРУЖАЮЩЕЙ СРЕДЫ



Переработка отходов

Машина, ее аксессуары и упаковочные материалы должны быть отсортированы для экологически чистой переработки.

Пластиковые компоненты имеют маркировку для вторичной переработки.



EAC

Импортер: ООО «ПОЗИТЕК-ЕВРАЗИЯ»

Адрес: Российская Федерация, 117342, г. Москва, ул. Бутлерова, д. 17, этаж 3 ком 67

Страна производства: КНР

Изготовитель: Позитек Технолоджи (КНР) Ко. Лтд.

Адрес: Донгванг Роуд, 18, Сучжоу Индастриал Парк, Цзянсу, КНР

Срок службы изделия: 6 лет

Срок гарантии: 2 года

Дата производства изделия: указана на изделии

Телефон сервисной службы ООО «ПОЗИТЕК-ЕВРАЗИЯ»: 7 (495) 136-83-96

Электронная почта service.ru@positecgroup.com

WORX
it's your nature

www.worx.com

Copyright © 2019, Positec. All Rights Reserved.
AR01484100